
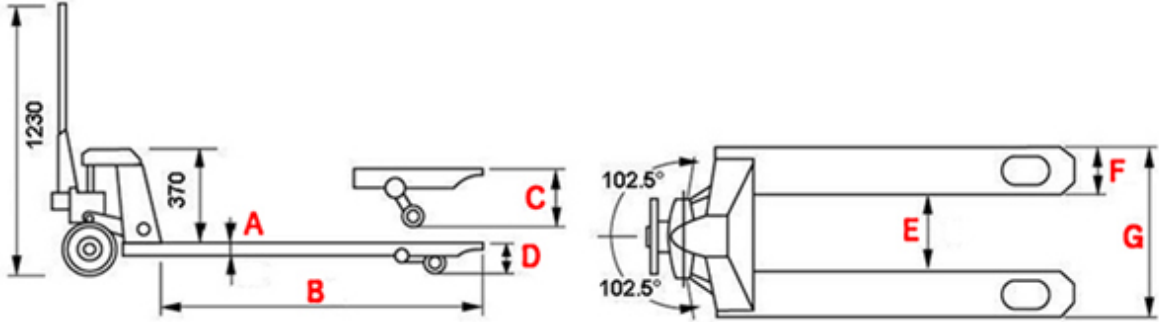


(Hand Pallet)	PDF File
<p>저상형 - 1 & 2Ton 저용량 - 1.6 & 2Ton 일반형 - 2.5Ton 고용량 - 3.5 & 5Ton 통타입 - 2Ton</p> 	<p>& 가 (OHP105~109) 가 (OHP111) !! 35 mm , 51mm 가 () OHP101 OHP102</p>



item No.	OHP101	OHP102	OHP103	OHP104	OHP105	OHP106	OHP107	OHP108	OHP109	OHP110	OHP111
Ton	1	2	1.6	2	2.5	2.5	2.5	2.5	3.5	5	2
B	1220	1220	1150	1220	1220	1100	800	800	1220	1150	1500
C	90	150	190	200	200	200	200	200	200	200	200
D	35	51	75	85	85	85	85	85	90	85	85
E	365	365	220	328	365	220	130	361	160	365	365
G	685	685	520	692	685	540	540	450	685	580	685
FxA	160x30	160x37	150x50	182x50	160x50	160x50	160x50	160x50	177x60	210x80	160x60
KG	75	82	55.5	105	85	82	70	65	96	192	102
	Ø160x50	Ø180x50	Ø180x50	Ø200x50	Ø200x50 (Brearing:6204)				Ø200x50	Ø200x50	
	Ø34x58	Ø50x93	Ø73x80	Ø80x93	Ø80x93 (Brearing:6204)				Ø74x93	Ø80x93	

OHP101 -1Ton
OHP102 -2Ton



OHP103 -1.6Ton



OHP104 -2Ton



OHP105
OHP106
OHP107 -2.5Ton
OHP108

▶ **OHP111 -2Ton**

동타입 주문생산가능
포크길이 1800/2000mm



OHP109 -3.5Ton



OHP110 -5Ton

