



Gunnebo Anja Shackles



High quality wire rope
and chain fittings



GUNNEBO
LIFTING



오 성 산 업

GUNNEBO-ANJA AS

The Norwegian Forging Specialist

Andr. Jacobsen AS was established in 1918. The company is located on an island close to Bergen on the Norwegian west coast. The firm has grown to become the leading Scandinavian manufacturer of forged shackles and riggingscrews. Other main product lines are general forgings, eyebolts and wooden blocks.

The manufacturing program is constantly enlarged to meet our customers varying demands. Thus the company stands out as the single point supplier.

The products are made from a range of steel qualities including stainless acid proof steel and high grade alloy steel to comply with the most stringent specifications.

Our workshops comprise all facilities and systems for the manufacturing and control of top quality products. This include tool design, advanced tool shop, forging, heat treatment, machining, hot dip galvanizing and quality control.

As a proof of our consistant work to maintain a high standard of quality the company is certified in accordance with the ISO 9001-2000 standard. The company was bought by Gunnebo in 2001 and changed name to Gunnebo-Anja AS



Andr. Jacobsen AS ble etablert i 1918 og er lokalisert på Osterøy ca 30 km nordøst for Bergen sentrum. Firmaet har utviklet seg til å bli Skandinavias ledende produsent av sjakler og strekkskruer. Andre hovedartikler er smidde og maskinerte detaljer for ulike formål, øyebolter og treblokker.

Produktene fremstilles i ulike utførelser og materialkvaliteter – inklusive seigherdingsstål og syrefast stål. Dette sammen med konstant produktutvikling gjør at våre kunder kan få dekket sitt komplette behov fra en produsent.

Vårt produksjonsutstyr dekker alle faser fra verktøykonstruksjon, fremstilling av verktøy, smiing, bearbeiding, varmebehandling, varmgalvanisering og sertifisering. Sammen med høyt kvalifiserte medarbeidere er dette grunnlaget for at firmaets kvalitetsikringssystem er sertifisert i samsvar med ISO 9001-2000. Bedriften ble kjøpt av Gunnebo i 2001 og endret navn til Gunnebo-Anja AS



The main product lines presented in this catalogue are:

- Shackles
- Rigging screws
- Thimbles
- Eyebolts
- Stainless Fittings
- Wooden Blocks

We consider it our obligation to satisfy our customers' complete requirements for the above articles. Therefore we endeavour to maintain an adequate stock level in our modern warehouse for quick service of the various demands.

It is recommended that articles are ordered by specifying the appropriate art. number and size needed.



Følgende produksjonsprogram presenteres i denne katalogen:

- Sjakler
- Strekkskruer
- Kauser
- Øyebolter
- Rustfrie artikler
- Treblokker

Vi tar ansvar for å levere et komplett program av ovenstående artikler. Et omfattende lager av ferdige produkter sikrer hurtige leveranser av våre kunders behov. Ved bestilling bør artikkelnummer og dimensjon spesifiseres.



DEFINITIONS

Working Load Limit (WLL)

The maximum load a component or lifting assembly is authorized to take in general use under straight pull. The WLL is often known as Safe Working Load (SWL).

Proofload (PL)

The maximum load applied when prooftesting a component or lifting assembly. The tested item may not show visible permanent deformation after proofloading.

Minimum Breaking Load (MBL)

The minimum load under straight pull at which the component or lifting assembly may break.

Safety Factor (S.F.)

The ratio between the MBL divided by WLL, for instance 6,0

Shockload

A resulting load from impacting or jerking a static load. A shockload is generally much larger than the static load and great care should be taken to avoid such hazardous loads.

Største tillatte arbeidslast (WLL)

Største tillatte belastning utstyret kan utsettes for under rent strekk. Ofte benyttes forkortelsen SWL (Safe Working Load) synonymt med WLL.

Prøvelast (PL)

Største last som påføres en detalj eller redskap under prøvebelastning av denne, f.eks. i forbindelse med sertifisering. For løft gjelder typisk at $PL = 2 \times WLL$.

Minimum bruddlast (MBL)

Minste last som under rent strekk medfører brudd i en komponent.

Sikkerhets faktor (S.F.)

$S.F. = MBL : WLL$, f.eks. 6,0 basert på katalogdata for Anja U.S. sjakler.

Sjokklast

En resulterende last fra slag eller rykk fra en statisk last. En sjokklast kan gi svært høye momentanverdier og bør unngås.



Anja U.S. Anchor Shackles

- Standard: U.S. Fed. Spec. RR-C-271
- Material: High Tensile Steel, Quenched and tempered / Legert stål, seigherdet
- Finish: All parts hot dip galvanized, painted bolts/pins on top of galv/
Varmforsinket bøyle og bolt
- Safety factor: 6,0/Sikkerhetsfaktor : 6,0
- Documentation: Test certificate and traceable 3.1.B certificate / Leveres med prøvesertifikat og 3.1.B materialsertifikat.

| Art.no | WLL tons | Nominal size d | Bolt dia d 1 | Inside width a | Inside length c | Outside eye d 2 | Inside bow e | Weight Safety Bolt | Weight Screw Pin |
|-------------|----------|----------------|--------------|----------------|-----------------|-----------------|--------------|--------------------|------------------|
| Ref. figure | 0,33 | 3/16" - 5 | 6 | 10 | 22 | 13 | 16 | 0,02 | |
| Ref. figure | 0,5 | 1/4" - 6 | 8 | 12 | 29 | 16 | 20 | 0,07 | 0,06 |
| Ref. figure | 0,75 | 5/16" - 8 | 10 | 13 | 32 | 20 | 21 | 0,13 | 0,11 |
| Ref. figure | 1,0 | 3/8" - 9 | 11 | 16 | 36 | 22 | 26 | 0,17 | 0,15 |
| Ref. figure | 1,5 | 7/16" - 11 | 13 | 18 | 43 | 26 | 29 | 0,25 | 0,21 |
| Ref. figure | 2,0 | 1/2" - 13 | 16 | 21 | 47 | 33 | 33 | 0,42 | 0,37 |
| Ref. figure | 3,25 | 5/8" - 16 | 19 | 27 | 60 | 40 | 42 | 0,7 | 0,65 |
| Ref. figure | 4,75 | 3/4" - 19 | 22 | 31 | 71 | 47 | 51 | 1,2 | 1,1 |
| Ref. figure | 6,5 | 7/8" - 22 | 25 | 37 | 84 | 50 | 58 | 1,7 | 1,5 |
| Ref. figure | 8,5 | 1" - 25 | 28 | 43 | 95 | 58 | 68 | 2,5 | 2,2 |
| Ref. figure | 9,5 | 1.1/8" - 28 | 30* | 46 | 108 | 64 | 74 | 3,4 | 3,1 |
| Ref. figure | 12,0 | 1.1/4" - 32 | 35 | 52 | 119 | 72 | 83 | 4,8 | 4,2 |
| Ref. figure | 13,5 | 1.3/8" - 35 | 38 | 57 | 132 | 74 | 89 | 7,0 | 6,0 |
| Ref. figure | 17,0 | 1.1/2" - 38 | 42 | 60 | 146 | 84 | 98 | 9,0 | 8,0 |
| Ref. figure | 25,0 | 1.3/4" - 45 | 50 | 74 | 178 | 105 | 127 | 15,0 | 13,5 |
| Ref. figure | 35,0 | 2" - 50 | 57 | 83 | 197 | 127 | 138 | 21,0 | 19,0 |
| Ref. figure | 42,5 | 2.1/4" - 57 | 65 | 95 | 222 | 140 | 160 | 29,0 | |
| Ref. figure | 55,0 | 2.1/2" - 65 | 70 | 105 | 255 | 152 | 185 | 41,0 | 38,0 |
| Ref. figure | 85,0 | 3" - 75 | 80 | 127 | 330 | 165 | 190 | 62,0 | |
| Ref. figure | 120,0 | 3.1/2" - 89 | 95 | 146 | 380 | 203 | 235 | 110,0 | |

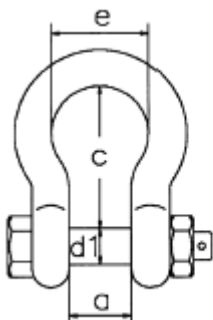
Forging tolerances: +/- 5% on inside width/length

*= 32 for 853/854

Safety Bolt / Mutterbolt

Ref. 855

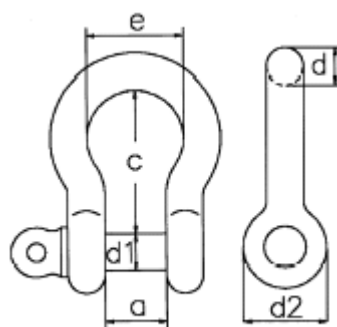
Art.no.: A085506-89 (dim)



Screw Pin / Øyepinn

Ref. 854

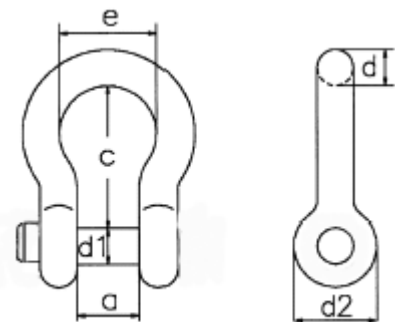
Art.no.: A085405-64 (dim)



Trawling Pin / Trålpinn

Ref. 853

Art.no.: A085313-45 (dim)





SHACKLES

Anja U.S. Chain Shackles

- Standard: U.S. Fed. Spec. RR-C-271
- Material: High Tensile Steel, Quenched and Tempered/Legert stål, seigherdet
- Finish: All parts hot dip galvanized, red painted bolts/pins on top of galv./ Varmforsinket bøyle og bolt.
- Safety factor: 6,0/Sikkerhetsfaktor : 6,0
- Documentation: Test certificate and traceable 3.1.B certificate / Leveres med prøvesertifikat og 3.1.B materialsertifikat.

| Art.no | WLL tons | Nominal size d | Bolt dia d1 | Inside width a | Inside length c | Outside eye d2 | Weight Safety Bolt | Weight Screw Pin |
|-------------|----------|----------------|-------------|----------------|-----------------|----------------|--------------------|------------------|
| Ref. figure | 0,5 | 1/4" - 7 | 8 | 12 | 25 | 12 | | 0,06 |
| Ref. figure | 0,75 | 5/16" - 9 | 10 | 13,5 | 27 | 16 | | 0,11 |
| Ref. figure | 1,0 | 3/8" - 10 | 11 | 17 | 31 | 20 | | 0,15 |
| Ref. figure | 1,5 | 7/16" / - 11 | 12 | 18,5 | 37 | 22 | | 0,2 |
| Ref. figure | 2,0 | 1/2" - 13 | 16 | 2 | 41 | 33 | 0,30 | 0,25 |
| Ref. figure | 3,25 | 5/8" - 16 | 19 | 27 | 51 | 40 | 0,60 | 0,55 |
| Ref. figure | 4,75 | 3/4" - 19 | 22 | 31 | 60 | 47 | 1,10 | 1,0 |
| Ref. figure | 6,5 | 7/8" - 22 | 25 | 37 | 71 | 50 | 1,50 | 1,3 |
| Ref. figure | 8,5 | 1" - 25 | 28 | 43 | 81 | 58 | 2,2 | 1,9 |
| Ref. figure | 9,5 | 1.1/8" - 28 | 32* | 46 | 90 | 64 | 3,1 | 2,8 |
| Ref. figure | 12,0 | 1.1/4" - 32 | 35 | 52 | 100 | 72 | 4,2 | 3,6 |
| Ref. figure | 13,5 | 1.3/8" - 35 | 38 | 57 | 111 | 74 | 5,6 | 4,6 |
| Ref. figure | 17,0 | 1.1/2" - 38 | 42 | 60 | 122 | 84 | 7,5 | 6,5 |
| Ref. figure | 25,0 | 1.3/4" - 45 | 50 | 74 | 149 | 105 | 13,0 | 11,5 |
| Ref. figure | 35,0 | 2" - 50 | 57 | 83 | 171 | 127 | 18,0 | 16,0 |
| Ref. figure | 55,0 | 2.1/2" - 65 | 70 | 105 | 203 | 152 | | |

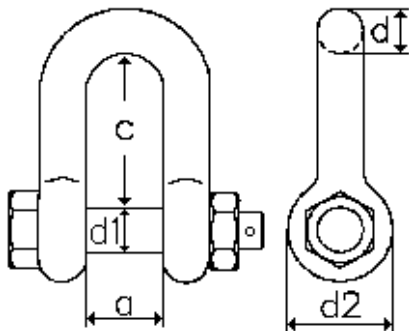
Forging tolerances: +/- 5% on inside width/length

* = 30 for type 835

Safety Bolt / Mutterbolt

Ref. 835

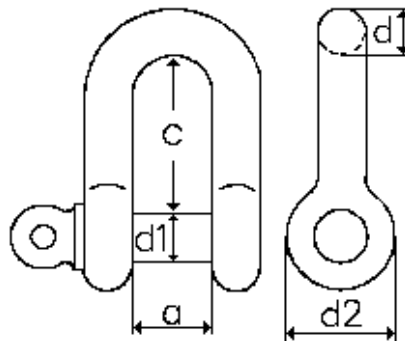
Art.no.: A083513-64 (dim)



Screw Pin / Øyepinn

Ref. 834

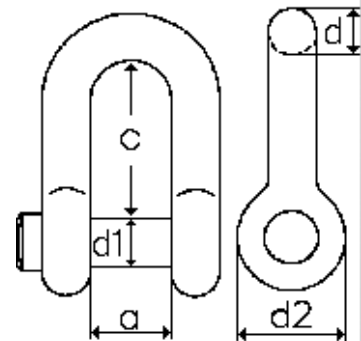
Art.no.: A083405-45 (dim)



Trawling Pin / Trålpinn

Ref. 833

Art.no.: A083313-45 (dim)





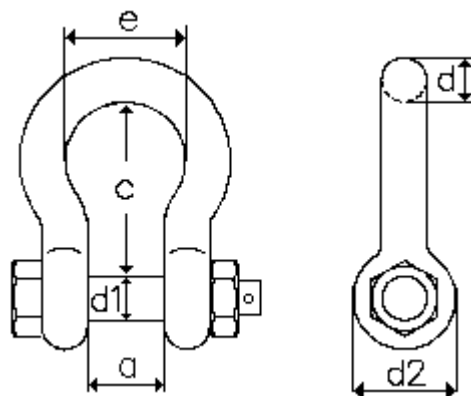
Anja U.S. «Offshore» Shackles

- Standard: DnV 2.7.1 / U.S. Fed. Spec. RR-C-271/DNV Type Approval Pending.
- Material: Special Alloy Steel, Quenched and Tempered
Høylegert stål, seigherdet.
- Finish: All parts hot dip galvanized + colour marking
Varmgalvanisert og merkefarge.
- Safety factor: As per DnV 2.7.1 (8,0 - 6,0)
Sikkerhetsfaktor i følge DnV 2.7.1
- Documentation: Test certificate and traceable 3.1.B certificate of the bow and the bolt in finished condition
Leveres med prøvesertifikat og sporbart materialsertifikat for bøyle og bolt i leveringstilstand.

| Art.no | WLL tons | Nominal size d | Bolt dia d1 | Inside width a | Inside length c | Outside eye d2 | Inside bow e | Weight Safety Bolt |
|---------|----------|----------------|-------------|----------------|-----------------|----------------|--------------|--------------------|
| A085613 | 2,0 | 1/2" - 13 | 16 | 21 | 47 | 33 | 33 | 0,42 |
| A085616 | 3,25 | 5/8" - 16 | 19 | 27 | 60 | 40 | 42 | 0,7 |
| A085619 | 4,75 | 3/4" - 19 | 22 | 31 | 71 | 47 | 51 | 1,2 |
| A085622 | 6,5 | 7/8" - 22 | 25 | 37 | 84 | 50 | 58 | 1,7 |
| A085625 | 8,5 | 1" - 25 | 28 | 43 | 95 | 58 | 68 | 2,5 |
| A085628 | 9,5 | 1.1/8" - 28 | 32 | 46 | 108 | 64 | 74 | 3,4 |
| A085632 | 12,0 | 1.1/4" - 32 | 35 | 52 | 119 | 72 | 83 | 4,8 |
| A085635 | 13,5 | 1.3/8" - 35 | 38 | 57 | 132 | 74 | 89 | 7,0 |
| A085638 | 17,0 | 1.1/2" - 38 | 42 | 60 | 146 | 84 | 98 | 9,0 |
| A085645 | 25,0 | 1.3/4" - 45 | 50 | 74 | 178 | 105 | 127 | 15,0 |
| A085652 | 35,0 | 2" - 50 | 57 | 83 | 197 | 127 | 138 | 21,0 |
| A085664 | 55,0 | 2.1/2" - 65 | 70 | 105 | 255 | 152 | 185 | 41,0 |
| A085676 | 85,0 | 3" - 75 | 80 | 127 | 330 | 165 | 190 | 62,0 |
| A085689 | 120,0 | 3.1/2" - 89 | 95 | 146 | 380 | 203 | 235 | 110,0 |

Forging tolerances: +/- 5% on inside width/length

Safety Bolt / Mutterbolt
Ref. 856



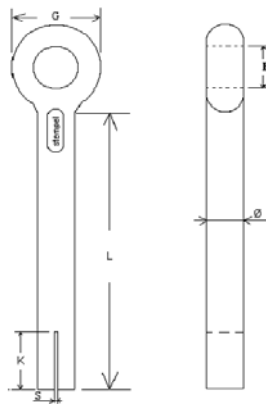


SHACKLES

Anja Mooring Bolts – Fortøyningsbolter

Material: Quenched and Tempered / Seigherdet
 Finish: Hot dip galvanized / varmgalvanisert

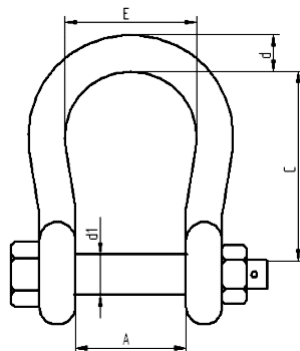
| Art.no | Dim | Ø - legg | Legg L | Hol øye E | G | K | S | Min. tonnbelastning v/bøy | v/brudd |
|---------|--------------|----------|--------|-----------|-----|-----|---|---------------------------|---------|
| A825032 | 1 1/4" x 16" | 32 | 400 | 38 | 72 | 100 | 2 | 8 | 40 |
| A825038 | 1 1/2" x 20" | 38 | 500 | 46 | 84 | 100 | 2 | 12 | 60 |
| A825045 | 1 3/4" x 24" | 45 | 600 | 54 | 105 | 100 | 2 | 15 | 80 |



Anja Mooring Shackles – Fortøyningssjakler

Material: Quenched and Tempered / Seigherdet
 Finish: Hot dip galvanized / varmgalvanisert

| Art.no | Tau diameter | Minste bruddlast tonn | Bøyle diameter d | Bolt diameter d1 | Gap A | Innvendig bredde E | Innvendig lengde C |
|---------|--------------|-----------------------|------------------|------------------|-------|--------------------|--------------------|
| A085219 | 32 | 28 | 19 | 22 | 44 | 58 | 100 |
| A085222 | 40 | 40 | 22 | 25 | 52 | 68 | 125 |
| A085228 | 48 | 60 | 28 | 28 | 62 | 89 | 150 |
| A085232 | 64 | 90 | 32 | 32 | 82 | 98 | 170 |





Anja «Heavy Duty» Shackles

Anchor Shackle with Safety Bolt and splitpin – Harpeformet bøyle, bolt med mutter og splitpinn.

High tensile steel Quenched and Tempered – Legert stål, seigherdet.

Painted surface – Malt overflate.

Supplied with proof load test certificate and 3.1.B material certificates for bow and bolt.

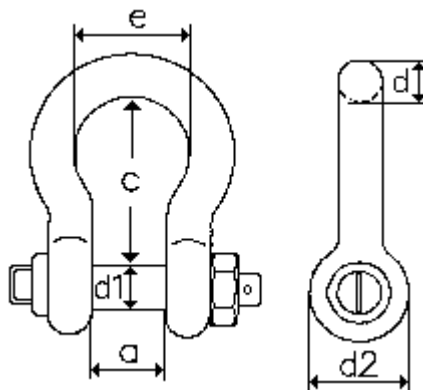
Leveres med prøvesertifikat og 3.1. B materialsertifikat for bøyle og bolt.

| WLL tons S.F = 5 | Nominal size d | Bolt dia d1 | Inside width a | Inside length c | Inside bow e | Outside eye d2 | Approx weigh each |
|------------------------|----------------------|-------------------|----------------------|-----------------------|--------------------|----------------------|-------------------------|
| 150,0 | 105 | 108 | 165 | 400 | 275 | 216 | 153,0 |
| 200,0 | 120 | 130 | 175 | 500 | 290 | 242 | 210,0 |
| 250,0 | 125 | 140 | 200 | 540 | 305 | 254 | 260,0 |
| 300,0 | 140 | 150 | 200 | 600 | 305 | 280 | 335,0 |
| 400,0 | 170 | 175 | 225 | 650 | 325 | 330 | 570,0 |
| 500,0 | 180 | 185 | 250 | 700 | 350 | 360 | 630,0 |
| 600,0 | 200 | 205 | 275 | 700 | 375 | 410 | 980,0 |
| 700,0 | 200 | 215 | 300 | 700 | 400 | 430 | 1030,0 |
| 800,0 | 210 | 220 | 300 | 700 | 400 | 440 | 1100,0 |
| 1000,0 | 240 | 240 | 340 | 700 | 420 | 480 | 1500,0 |
| 1200,0 | 250 | 280 | 400 | 800 | 500 | 560 | 1900,0 |

Forging tolerances: +/- 5% on inside width/length

Safety Bolt / Mutterbolt

Ref. 857





SHACKLES

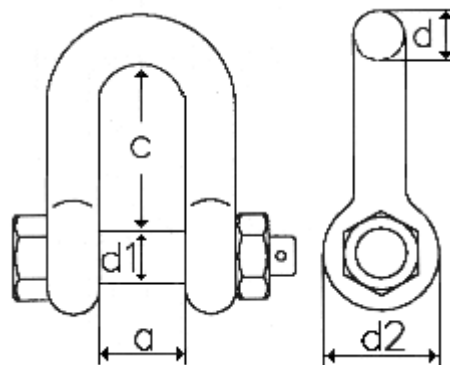
Anja «Red Alloy» Chain Shackles

- Standard: Dimensions generally as per SMS 1577
Hovedmål i følge svensk standard SMS 1577
- Material: Special Alloy Steel, Quenched and Tempered
Høylegert stål, seigherdet
- Finish: Red Painted
Rødmalt bøyle og bolt
- Safety factor: 4,0
Sikkerhetsfaktor 4,0
- Documentation: Supplied with Test Certificate
Leveres med prøvesertifikat.

| Art.no | WLL tons S.F= 4,0 | Nominal size | Tofit chain size | Bow dia d | Bolt dia d1 | Inside width a | Inside length c | Outside eye d2 | Weight pcs kg |
|---------|-------------------------|-----------------|------------------------|-----------------|-------------------|----------------------|-----------------------|----------------------|---------------------|
| A831310 | 2,0 | M10 | 7/8 | 8,5 | 10 | 15 | 30 | 20 | 0,10 |
| A831312 | 3,2 | M12 | 10 | 11 | 12 | 20 | 39 | 26 | 0,20 |
| A831316 | 5,4 | M16 | 13 | 13 | 16 | 24 | 52 | 33 | 0,40 |
| A831320 | 8,0 | M20 | 16 | 16 | 20 | 28 | 65 | 42 | 0,65 |
| A831322 | 10,5 | M22 | 18 | 18 | 22 | 30 | 72 | 46 | 0,90 |
| A831324 | 12,5 | M24 | 20 | 19 | 25 | 32 | 78 | 50 | 1,10 |
| A831327 | 15,5 | M27 | 22 | 22 | 28 | 36 | 86 | 55 | 1,70 |
| A831330 | 19,0 | M30 | 25 | 25 | 30 | 40 | 94 | 62 | 2,50 |
| A831333 | 23,0 | M33 | 26 | 28 | 32 | 44 | 103 | 68 | 3,10 |
| A831339 | 32,0 | M39 | 30 | 32 | 38 | 48 | 116 | 75 | 4,50 |
| A831342 | 40,0 | M42 | 32-33 | 35 | 42 | 52 | 129 | 82 | 5,70 |

Forging tolerances: +/- 5% on inside width/length

Safety Bolt / Mutterbolt
Ref. 831





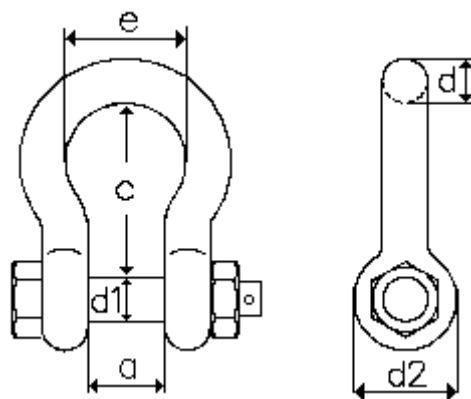
Anja «Red Alloy» Anchor Shackles

- Standard: Dimensions generally as per SMS 1619.
Hovedmål i følge svensk standard SMS 1619
- Material: Special Alloy Steel, Quenched and Tempered
Høylegert stål, seigherdet.
- Finish: Red painted
Rødmalt bøyle og bolt.
- Safety factor: 4,0
Sikkerhetsfaktor 4,0
- Documentation: Supplied with Test Certificate
Leveres med prøvesertifikat.

| Art.no | WLL tons S.F=4,0 | Nominal size d1 | To fit chain size | Bow dia d | Bolt dia d1 | Inside Width a | Inside Length c | Inside Bow e | Outside eye d2 | Weight pcs kg |
|---------|------------------------|-----------------------|-------------------------|-----------------|-------------------|----------------------|-----------------------|--------------------|----------------------|---------------------|
| A851310 | 2,0 | M10 | 7/8 | 11 | 10 | 15 | 34 | 26 | 20 | 0,13 |
| A851312 | 3,2 | M12 | 10 | 13 | 12 | 20 | 45 | 35 | 26 | 0,25 |
| A851316 | 5,4 | M16 | 13 | 16 | 16 | 24 | 55 | 42 | 33 | 0,50 |
| A851320 | 8,0 | M20 | 16 | 19 | 20 | 28 | 65 | 50 | 40 | 0,85 |
| A851322 | 10,5 | M22 | 19 | 22 | 22 | 30 | 70 | 52 | 46 | 1,20 |
| A851324 | 12,5 | M24 | 20 | 25 | 25 | 32 | 75 | 56 | 50 | 1,60 |
| A851327 | 15,5 | M27 | 22 | 28 | 28 | 36 | 85 | 62 | 55 | 2,20 |
| A851330 | 19,0 | M30 | 24 | 32 | 30 | 40 | 94 | 68 | 62 | 4,40 |
| A851333 | 23,0 | M33 | 26 | 35 | 32 | 44 | 104 | 77 | 68 | 5,70 |
| A851339 | 32,0 | M39 | 30 | 38 | 38 | 48 | 115 | 84 | 75 | 7,50 |
| A851340 | 40,0 | M42 | 32-33 | 42 | 42 | 52 | 125 | 92 | 82 | 7,50 |

Forging tolerances: +/- 5% on inside width/length

Safety Bolt / Mutterbolt
Ref. 851





SHACKLES

Anja SMS 1577 Chain Shackles

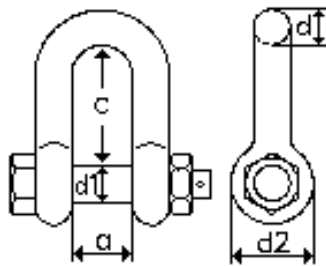
- Standard: SMS 1577
- Material: High Tensile Steel, Normalized / Normalisert St. 52-3
- Finish: All types Hot Dip Galvanized
Alle varianter leveres varmgalvanisert
- Safety factor: 5,0 / Sikkerhetsfaktor 5,0
- Documentation: Test certificate can be supplied on request / Kan leveres med prøvesertifikat når det forlanges.

| Art.no | WLL Tons S.F.=5 | Nominal size d1 | Bow dia d | Inside width a | Inside length c | Outside eye d2 | Weight pcs kg |
|-------------|-----------------------|-----------------------|-----------------|----------------------|-----------------------|----------------------|---------------------|
| Ref. figure | 0,6 | M10 | 8,5 | 15 | 30 | 20 | 0,10 |
| Ref. figure | 0,9 | M12 | 11 | 20 | 39 | 26 | 0,20 |
| Ref. figure | 1,5 | M16 | 13 | 24 | 52 | 33 | 0,40 |
| Ref. figure | 2,4 | M20 | 16 | 28 | 65 | 42 | 0,65 |
| Ref. figure | 3,0 | M22 | 18 | 30 | 72 | 46 | 0,90 |
| Ref. figure | 3,7 | M24 | 19 | 32 | 78 | 50 | 1,10 |
| Ref. figure | 4,8 | M27 | 22 | 36 | 86 | 55 | 1,70 |
| Ref. figure | 6,0 | M30 | 25 | 40 | 94 | 62 | 2,50 |
| Ref. figure | 7,5 | M33 | 28 | 44 | 103 | 68 | 3,10 |
| Ref. figure | 9,4 | M39 | 32 | 48 | 116 | 75 | 4,50 |
| Ref. figure | 12,0 | M42 | 35 | 52 | 129 | 82 | 5,70 |
| Ref. figure | 15,0 | M45 | 38 | 58 | 143 | 84 | 10,00 |
| Ref. figure | 19,0 | M52 | 45 | 64 | 155 | 95 | 14,00 |

Forging tolerances: +/- 5% on inside width/length.

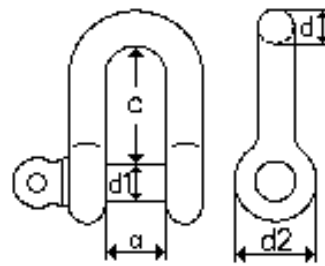
Ref. 1577 A

Art.no.:A771110-52 (dim)



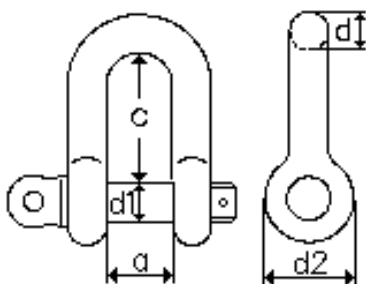
Ref. 1577 C

Art.no.:A773110-42 (dim)



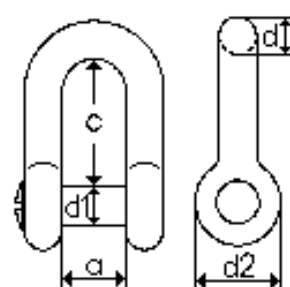
Ref. 1577 B

Art.no.:A772110-42 (dim)



Ref. 1577 D

Art.no.:A774110-30 (dim)





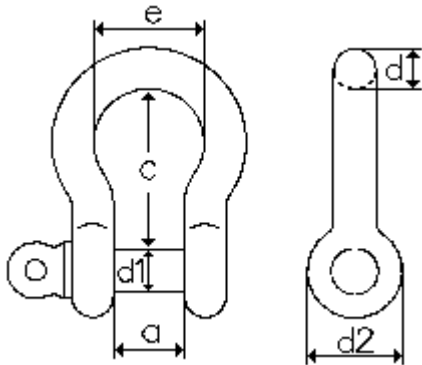
Anja SMS 1619 Anchor Shackles

- Standard: SMS 1619
- Material: High Tensile Steel, Normalized / Normalisert St. 52-3
- Finish: Hot Dip Galvanized / Varmgalvanisert eller sort.
- Safety factor: 5,0 / Sikkerhetsfaktor 5,0
- Documentation: Test certificate can be supplied on request / Kan leveres med prøvesertifikat når det forlanges.

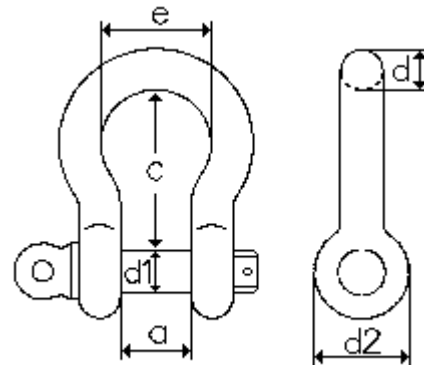
| Art.no | WLL Ton S.F= 5 | Nominal size d1 | Bow dia d | Inside width a | Inside length c | Inside bow e | Outside eye d2 | Weight pcs kg |
|-------------|----------------------|-----------------------|-----------------|----------------------|-----------------------|--------------------|----------------------|---------------------|
| Ref. figure | 0,6 | M10 | 11 | 15 | 34 | 26 | 20 | 0,13 |
| Ref. figure | 0,9 | M12 | 13 | 20 | 45 | 35 | 26 | 0,25 |
| Ref. figure | 1,5 | M16 | 16 | 24 | 55 | 42 | 33 | 0,50 |
| Ref. figure | 2,4 | M20 | 19 | 28 | 65 | 50 | 40 | 0,85 |
| Ref. figure | 3,0 | M22 | 22 | 30 | 70 | 52 | 46 | 1,20 |
| Ref. figure | 3,7 | M24 | 25 | 32 | 75 | 56 | 50 | 1,60 |
| Ref. figure | 4,8 | M27 | 28 | 36 | 85 | 62 | 55 | 2,20 |
| Ref. figure | 6,0 | M30 | 32 | 40 | 94 | 68 | 62 | 4,40 |
| Ref. figure | 7,5 | M33 | 35 | 44 | 104 | 77 | 68 | 4,40 |
| Ref. figure | 9,4 | M39 | 38 | 48 | 115 | 84 | 75 | 5,70 |
| Ref. figure | 12,0 | M42 | 42 | 52 | 125 | 92 | 82 | 7,50 |
| Ref. figure | 15,0 | M45 | 45 | 58 | 140 | 100 | 95 | 11,00 |

Forging tolerances: +/- 5% on inside width/length

Ref. 1619 B
Art.no.: A619110-45 (dim)



Ref. 1619 A
Art.no.: A619216-45 (dim)





SHACKLES

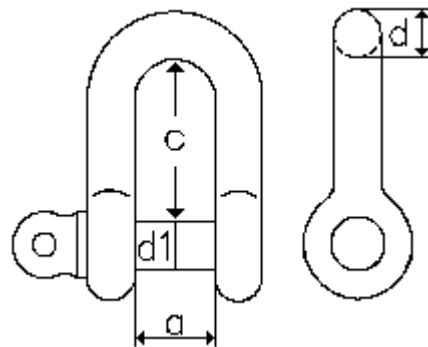
Anja Large Dee Shackles

- Standard: Generally to BS 3032 with screwpin
Hovedmål som BS 3032 m/kragepinn
- Material: High Tensile Steel, normalized
Stålkvalitet St. 52-3 normalisert
- Finish: Selfcoloured
Sort
- Safety factor: 5,0
Sikkerhetsfaktor 5,0
- Documentation: Test Certificate
Leveres med prøvesertifikat

| Art.no | Size | SWL S.F. = 5 | d | d1 | a | c | Approx weight 100 pcs |
|---------|--------|-----------------|-----|----|----|-----|-----------------------------|
| A003305 | 3/16" | 0,1 | 5 | 5 | 10 | 20 | 1,7 |
| A003306 | 1/4" | 0,15 | 6 | 6 | 13 | 25 | 3,5 |
| A003308 | 5/16" | 0,40 | 8,5 | 10 | 15 | 30 | 9,0 |
| A003309 | 3/8" | 0,60 | 9 | 10 | 19 | 38 | 11,0 |
| A003311 | 7/16" | 0,80 | 11 | 12 | 20 | 39 | 19,0 |
| A003313 | 1/2" | 1,0 | 13 | 16 | 24 | 52 | 33,0 |
| A003316 | 5/8" | 1,5 | 16 | 20 | 32 | 65 | 60,0 |
| A003319 | 3/4" | 2,0 | 19 | 22 | 38 | 76 | 97,0 |
| A003322 | 7/8" | 2,5 | 22 | 25 | 44 | 88 | 143,0 |
| A003325 | 1" | 3,0 | 25 | 28 | 51 | 102 | 220,0 |
| A003328 | 1.1/8" | 4,0 | 28 | 32 | 56 | 112 | 305,0 |
| A003332 | 1.1/4" | 5,0 | 32 | 35 | 64 | 128 | 435,0 |
| A003335 | 1.3/8" | 6,0 | 35 | 38 | 70 | 140 | 550,0 |
| A003339 | 1.1/2" | 7,0 | 38 | 42 | 76 | 152 | 740,0 |
| A003342 | 1.5/8" | 11,0 | 42 | 45 | 84 | 168 | 950,0 |
| A003345 | 1.3/4" | 13,0 | 45 | 50 | 90 | 180 | 1100,0 |

Forging tolerances: +/- 5% on inside width/length

Ref. 33 - DC





Anja Commercial Shackles

- Norwegian Made Commercial Shackles with screw eye pin
Norskprodusert handelssjakkell med øyepinn
- Dee or Bow Shape
D- og H- form
- Finish: Hot Dip Galvanized
Varmgalvanisert
- Material: Mild Steel
Handelstål.

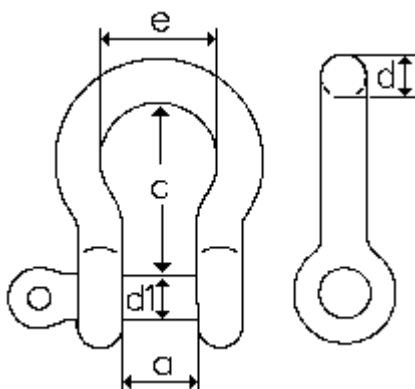
NOT RECOMMENDED FOR LIFTING PURPOSE!

Anbefales ikke brukt til løfteformål!

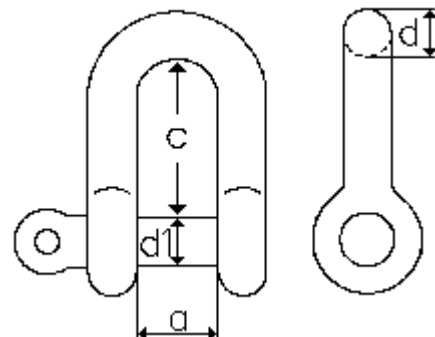
| Art.no 50 H | Art.no 30 D | Size | d | d1 | a | c | e | WLL ton S.F.=5 | Approx weight 100 pcs |
|----------------|----------------|--------|----|----|----|---------|----|----------------------|-----------------------------|
| Dee/Bow | | | | | | | | | |
| A005005 | A003005 | 3/16" | 5 | 5 | 10 | 20/22 | 17 | 0,1 | 1,7 |
| A005006 | A003006 | 1/4" | 6 | 6 | 13 | 25/25 | 17 | 0,15 | 3,5 |
| A005008 | A003008 | 5/16" | 8 | 8 | 16 | 32/30 | 23 | 0,3 | 7,0 |
| A005009 | A003009 | 3/8" | 9 | 9 | 19 | 38/33 | 28 | 0,5 | 11,0 |
| | A003011 | 7/16" | 11 | 11 | 22 | 44 | 33 | 0,6 | 17,0 |
| A005012 | A003012 | 1/2" | 12 | 12 | 26 | 52/53 | 39 | 0,8 | 26,0 |
| A005014 | A003014 | 9/16" | 14 | 16 | 29 | 52/60 | 45 | 1,2 | 44,0 |
| A005016 | A003016 | 5/8" | 16 | 19 | 32 | 65/70 | 52 | 1,5 | 70,0 |
| A005019 | A003019 | 3/4" | 19 | 22 | 38 | 76/86 | 65 | 2,0 | 114,0 |
| A005022 | A003022 | 7/8" | 22 | 25 | 44 | 88/98 | 75 | 2,5 | 162,0 |
| A005025 | A003025 | 1" | 25 | 28 | 51 | 102/114 | 85 | 3,0 | 245,0 |
| | A003028 | 1.1/8" | 28 | 32 | 56 | 112/— | | 4,0 | 345,0 |
| | A003032 | 1.1/4" | 32 | 35 | 64 | 128/— | | 5,0 | 450,0 |
| | A003035 | 1.3/8" | 35 | 38 | 70 | 140/— | | 6,0 | 595,0 |
| | A003038 | 1.1/2" | 38 | 42 | 76 | 152/— | | 7,0 | 7,4/8,4 |

Forging tolerances: +/- 5% on inside width/length

Ref. 50 H



Ref. 30 D





SHACKLES

Imported Commercial Shackles

- Equal size Bow and Pin
Lik dimensjon bøyle og pinn
- Screw eye pin, Dee and Bow shape
D- og H- form, øyepinn med krage
- Galvanized
Elforsinket

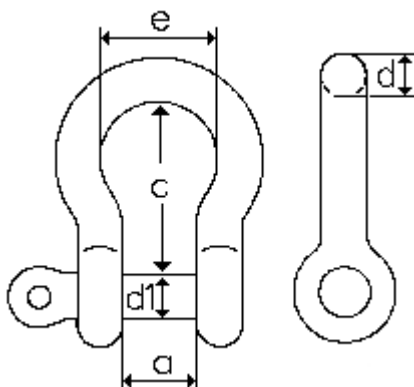
MUST NOT BE USED FOR LIFTING!

Må ikke anvendes til løft!

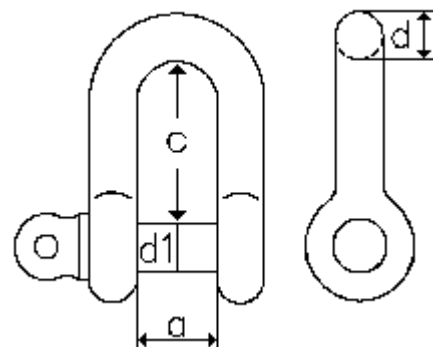
| Art.no 500 H | Art.no 300 D | Size | d | d1 | a | c | e | Approx weight 100 pcs |
|-----------------|-----------------|------|----|----|----|-----|-----|-----------------------------|
| A050005 | A030005 | M5 | 5 | 5 | 10 | 20 | 15 | 2 |
| A050006 | A030006 | M6 | 6 | 6 | 12 | 24 | 18 | 3 |
| A050008 | A030008 | M8 | 8 | 8 | 16 | 32 | 24 | 6 |
| A050010 | A030010 | M10 | 10 | 10 | 20 | 40 | 30 | 9 |
| | A030011 | M11 | 11 | 11 | 22 | 44 | 33 | 21 |
| A050012 | A030012 | M12 | 12 | 12 | 25 | 48 | 39 | 26 |
| A050014 | A030014 | M14 | 14 | 14 | 28 | 53 | 42 | 38 |
| A050016 | A030016 | M16 | 16 | 16 | 32 | 60 | 48 | 49 |
| A050020 | A030020 | M20 | 19 | 19 | 38 | 74 | 57 | 80 |
| A050022 | A030022 | M22 | 22 | 22 | 44 | 85 | 66 | 130 |
| A050024 | A030024 | M24 | 25 | 25 | 51 | 97 | 75 | 200 |
| A050027 | A030027 | M27 | 28 | 28 | 56 | 107 | 84 | 300 |
| | A030030 | M30 | 32 | 32 | 64 | 122 | 96 | 390 |
| | A030033 | M33 | 35 | 35 | 70 | 140 | 105 | 520 |
| | A030039 | M39 | 38 | 38 | 76 | 146 | 114 | 700 |

Forging tolerances: +/- 5% on inside width/length

Ref. 500 H



Ref. 300 D

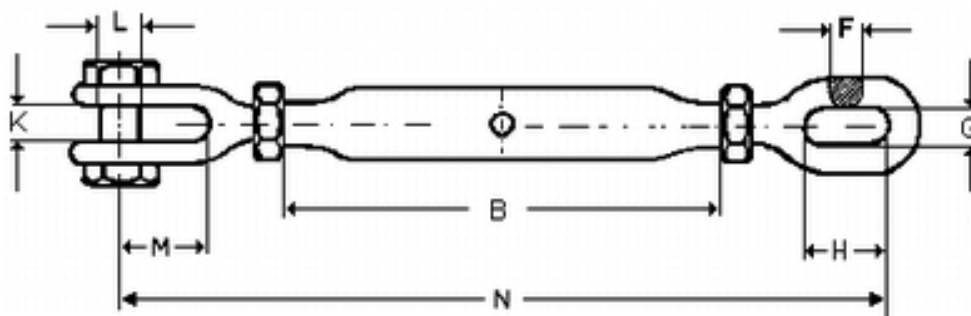




Anja Standard Rigging screws

- Standard: Generally to B.S. 4429, Closed Body with locknuts on terminals
Tilsvare B.S. 4429, lukket hylse og stoppmuttre
- Material: M6 - M20 Mild Steel / St. 37
- Finish: Hot Dip Galvanized
Varmgalvanisert
- Safety factor: 5,0
Sikkerhetsfaktor 5,0
- Documentation: Sizes M10 - 2" are loadmarked and can be supplied with test certificate on request
Dimensjoner M10 - 2" er lastmerket og kan på forlangende leveres med prøvesertifikat.

| Art.no | Size/ threads S.F.=5 | WLL tons | Load limit | Take up | B | N | L | M | K | H | G | F | Approx weight kg/ pcs |
|-------------|----------------------------|-------------|---------------|------------|-----|-----|----|-----|----|-----|----|----|-----------------------------|
| Ref. figure | M6 | | 0,20 | 78 | 100 | 155 | 5 | 14 | 7 | 11 | 11 | 5 | 0,10 |
| Ref. figure | M8 | | 0,32 | 84 | 110 | 175 | 6 | 17 | 9 | 12 | 12 | 6 | 0,18 |
| Ref. figure | M10 | 0,5 | | 110 | 145 | 225 | 8 | 20 | 10 | 13 | 13 | 7 | 0,28 |
| Ref. figure | M12 | 0,7 | | 115 | 195 | 315 | 10 | 30 | 13 | 30 | 15 | 10 | 0,66 |
| Ref. figure | M16 | 1,2 | | 185 | 230 | 380 | 12 | 44 | 18 | 40 | 20 | 12 | 1,20 |
| Ref. figure | M20 | 1,5 | | 210 | 270 | 450 | 16 | 50 | 20 | 50 | 24 | 16 | 2,30 |
| Ref. figure | M22 | 2,2 | | 230 | 295 | 500 | 20 | 60 | 25 | 50 | 24 | 16 | 3,30 |
| Ref. figure | M24 | 3,2 | | 250 | 325 | 555 | 22 | 65 | 28 | 56 | 28 | 19 | 4,60 |
| Ref. figure | M30 | 1 1/4" | 4,8 | 290 | 370 | 680 | 27 | 85 | 3 | 70 | 35 | 22 | 8,50 |
| Ref. figure | M39 | 1 1/2" | 6,0 | 300 | 400 | 760 | 33 | 100 | 45 | 80 | 40 | 25 | 14,50 |
| Ref. figure | M45 | 1 3/4" | 8,5 | 290 | 400 | 760 | 38 | 105 | 50 | 90 | 45 | 30 | 20,80 |
| Ref. figure | M50 | 2" | 1,0 | 290 | 400 | 820 | 45 | 120 | 58 | 100 | 45 | 35 | 24,0 |



| | | | |
|------|------------|-----|---------------------------|
| Ref. | JAW / JAW | 401 | Art.no.: A401406-50 (dim) |
| | JAW / EYE | 402 | Art.no.: A402406-50 (dim) |
| | EYE / HOOK | 403 | Art.no.: A403406-20 (dim) |
| | EYE / EYE | 404 | Art.no.: A404406-20 (dim) |

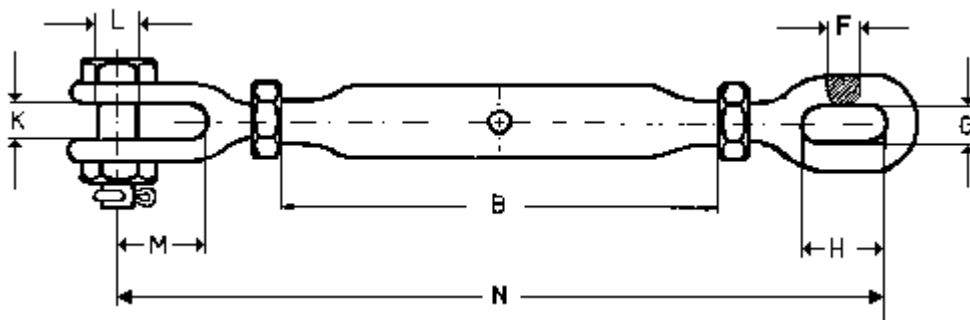


RIGGINGSREWS

Anja Alloy Rigging screws

- Standard: Load Rated similar to U.S. Fed. Spec. FF-T-791.b
Arbeidslaster som U.S. Fed. spec. FF-T-791.b
- Range: Closed Body 2,5T to 17T, Larger sizes Open Body
Leveres med lukket hylse fra 2,5 - 17T, større dimensjoner åpen hylse
- Material: High Tensile Steel, Quenched and Tempered
Legert stål, seigherdet
- Finish: All parts hot dip galvanized
Alle komponenter varmforsinket
- Safety factor: 5,0
Sikkerhetsfaktor 5,0
- Documentation: Supplied with Test Certificate, 3.1.B material certificate available on request
Leveres med godkjent prøvesertifikat, sporbart 3.1.B materialsertifikat kan leveres på forlangende.

| Art.no | Size/ thread | WLL 5:1 tons | Take up | B | N | K | L | M | F | G | H | Approx weight kg/pcs |
|-------------|-----------------|--------------------|------------|-----|------|----|----|-----|----|----|-----|----------------------------|
| Ref. figure | M20 | 2,5 | 210 | 270 | 455 | 20 | 16 | 50 | 16 | 24 | 50 | 2,3 |
| Ref. figure | M24 | 5,0 | 250 | 340 | 570 | 28 | 22 | 65 | 19 | 28 | 56 | 4,6 |
| Ref. figure | M30 1.1/4" | 7,0 | 270 | 370 | 680 | 38 | 27 | 85 | 22 | 35 | 70 | 8,0 |
| Ref. figure | M39 1.1/2" | 10,0 | 300 | 420 | 790 | 45 | 33 | 100 | 25 | 40 | 78 | 14,0 |
| Ref. figure | M45 1.3/4" | 13,0 | 360 | 500 | 870 | 50 | 39 | 105 | 30 | 45 | 90 | 24,0 |
| Ref. figure | M50 2" | 17,0 | 450 | 600 | 1030 | 58 | 45 | 120 | 35 | 45 | 100 | 38,0 |
| Ref. figure | M60* 2.1/2" | 27,2 | 600 | 800 | 1490 | 75 | 57 | 140 | | | | 73,0 |
| Ref. figure | M70* 2.3/4" | 34,0 | 600 | 800 | 1570 | 89 | 70 | 145 | | | | 98,0 |



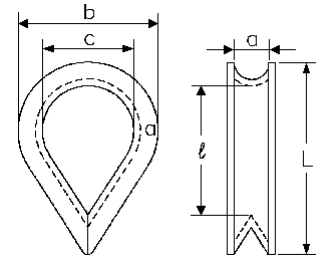
| | | | |
|------|-----------|-----|---------------------------|
| Ref. | JAW / JAW | 801 | Art.no.: A801420-50 (dim) |
| | JAW / EYE | 802 | Art.no.: A801420-50 (dim) |
| | EYE / EYE | 804 | Art.no.: A801420-50 (dim) |



Standard Commercial Thimbles / Hjertekauser

- Material: Mild Steel / handelsstål
- Finish: Galvanized / galvanisert

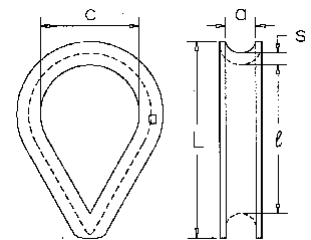
| Art.no | Dia Rope | Groove width | Overall length | | Overall width | Inside length | Inside width | Approx weight per 100 pcs kg |
|---------|----------|--------------|----------------|------|---------------|---------------|--------------|------------------------------|
| | mm | a mm | L inches | L mm | b mm | l mm | c mm | |
| A060004 | 4 | 4 | 1 | 25 | 19 | 16 | 11 | 0,4 |
| A060005 | 5 | 5 | 1,25 | 31 | 22 | 22 | 16 | 0,8 |
| A060006 | 6 | 6 | 1,5 | 37 | 29 | 26 | 19 | 1,4 |
| A060007 | 7 | 7 | 1,75 | 44 | 32 | 32 | 22 | 2,0 |
| A060008 | 8 | 8 | 2 | 51 | 38 | 34 | 24 | 2,8 |
| A060009 | 9 | 9 | 3,5 | 57 | 42 | 38 | 29 | 3,0 |
| A060010 | 10 | 10 | 2,25 | 64 | 44 | 42 | 32 | 4,8 |
| A060012 | 12 | 12 | 3 | 76 | 57 | 51 | 38 | 8,0 |
| A060016 | 16 | 16 | 3,5 | 89 | 64 | 60 | 42 | 15,0 |
| A060018 | 18 | 18 | 4 | 102 | 69 | 67 | 45 | 22,0 |
| A060020 | 20 | 20 | 4,5 | 115 | 79 | 76 | 51 | 25,0 |
| A060022 | 22 | 22 | 5 | 127 | 89 | 83 | 54 | 32,0 |
| A060024 | 24 | 24 | 5,5 | 140 | 102 | 88 | 64 | 46,0 |
| A060026 | 26 | 26 | 6 | 152 | 105 | 102 | 68 | 66,0 |
| A060030 | 30 | 30 | 7 | 178 | 121 | 115 | 79 | 80,0 |



Heavy Duty Stub-End Thimbles / Stub-end hjertekauser for løft

- Material: Mild Steel / handelsstål
- Finish: Galvanized / galvanisert

| Art.no | Dia Rope | Groove width | Overall length | | Inside length | Inside width | Back thickness | Approx weight per 100 pcs kg |
|---------|----------|--------------|----------------|------|---------------|--------------|----------------|------------------------------|
| | mm | a mm | L inches | L mm | l mm | c mm | S mm | |
| A060108 | 8 | 8 | 2 | 51 | 35 | 22 | 4 | 6 |
| A060110 | 10 | 10 | 2 1/2 | 64 | 47 | 30 | 4 | 7 |
| A060112 | 12 | 12 | 3 | 76 | 57 | 35 | 5 | 14 |
| A060114 | 14 | 14 | 3 1/2 | 89 | 65 | 45 | 6 | 22 |
| A060116 | 16 | 16 | 4 | 102 | 76 | 50 | 6 | 24 |
| A060118 | 18 | 18 | 4 1/2 | 114 | 86 | 53 | 8 | 43 |
| A060120 | 20 | 20 | 5 | 127 | 94 | 60 | 9 | 65 |
| A060122 | 22 | 22 | 5 1/2 | 140 | 107 | 65 | 10 | 93 |
| A060124 | 24 | 24 | 6 | 152 | 114 | 70 | 10 | 102 |
| A060128 | 28 | 28 | 7 | 178 | 130 | 80 | 10.5 | 135 |
| A060132 | 32 | 32 | 8 | 203 | 157 | 100 | 10.5 | 162 |
| A060136 | 36 | 36 | 9 | 229 | 177 | 115 | 12 | 363 |
| A060140 | 40 | 40 | 10 | 254 | 198 | 120 | 12 | 376 |

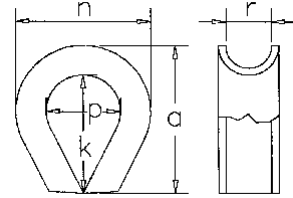




THIMBLES

Short Rope Thimbles / Trossekauser

| Art.no | Overall length | Overall width | Inside length | Inside width | Groove width | Approx weight per 100 pcs kg |
|---------|----------------|---------------|---------------|--------------|--------------|------------------------------|
| | a inches | n mm | k mm | p mm | r mm | |
| A060332 | 4 | 75 | 78 | 50 | 32 | 34 |
| A060340 | 5 | 110 | 95 | 65 | 40 | 80 |
| A060348 | 6 | 120 | 115 | 75 | 48 | 90 |
| A060356 | 7 | 140 | 140 | 85 | 56 | 180 |
| A060364 | 8 | 160 | 160 | 105 | 64 | 310 |





Material AISI 316. Highly polished

Anja Stainless Steel Rigging Screws

- Closed Body with stopnuts
- Machined Jaws

No. 763 Two Narrow Jaws

No. 6312 Narrow Jaw and Swage Stud Terminal

Anja rustfrie strekkskruer

Lukket hylse med stoppmuttere

Maskinerte gafler

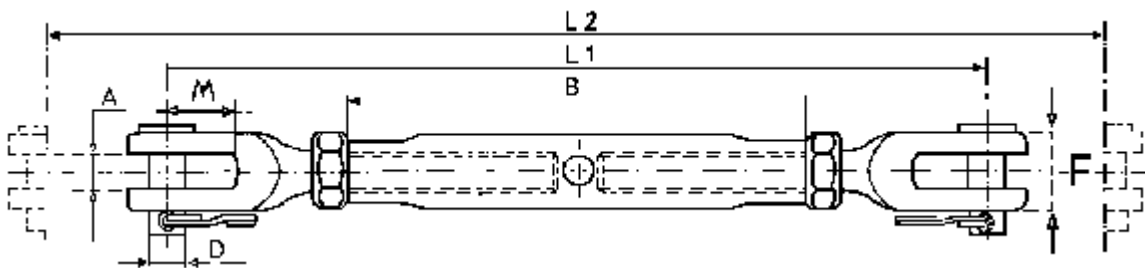
Nr. 763 Med to smale gafler

Nr. 6312 Med smal gaffel og gjengeterminal

| Art.no | Size UNF | Wire mm | Length body B | Length min. L1 | Length max. L2 | Bolt dia D | Inside jaw A | M | F | Break load ton | Weight kg/100 |
|---------|----------|---------|---------------|----------------|----------------|------------|--------------|------|----|----------------|---------------|
| A763806 | 1/4" | 3 | 90 | 140 | 205 | 5,0 | 5,2 | 10 | 11 | 1.3 | 9 |
| A763808 | 5/16" | 4 | 100 | 160 | 235 | 6,0 | 7,8 | 12,5 | 15 | 2.1 | 15 |
| A763810 | 3/8" | 5 | 115 | 185 | 265 | 8,0 | 9,1 | 14 | 17 | 3.2 | 25 |
| A763811 | 7/16" | 6 | 130 | 210 | 305 | 9,5 | 10,1 | 17 | 20 | 4.2 | 35 |
| A763812 | 1/2" | 7 | 155 | 260 | 380 | 11,0 | 11,0 | 20 | 22 | 5.7 | 55 |
| A763816 | 5/8" | 8 | 190 | 315 | 460 | 12,7 | 13,0 | 22 | 25 | 6.7 | 95 |
| A763820 | 3/4" | 10 | 240 | 410 | 565 | 16,0 | 17,0 | 30 | 35 | 11.0 | 190 |

Dimension stud terminal no 712 on page 24

Mål på terminal nr 712 på s. 24



No 764 Two Wide Jaws

Nr 764 Med to brede gafler

| Art.no | Size UNF | Wire mm | Length body B | Length min. L1 | Length max. L2 | Bolt dia D | Inside jaw A | M | F | Break load ton | Weight kg/100 |
|---------|----------|---------|---------------|----------------|----------------|------------|--------------|------|----|----------------|---------------|
| A764806 | 1/4" | 3 | 90 | 145 | 210 | 6,0 | 7,8 | 12,5 | 15 | 1.5 | 13 |
| A764808 | 5/16" | 4 | 100 | 165 | 240 | 8,0 | 9,1 | 14 | 17 | 2.3 | 18 |
| A764810 | 3/8" | 5 | 115 | 195 | 270 | 9,5 | 10,1 | 17 | 20 | 3.5 | 30 |
| A764811 | 7/16" | 6 | 130 | 220 | 300 | 11,0 | 11,0 | 20 | 22 | 4.6 | 40 |
| A764812 | 1/2" | 7-8 | 155 | 270 | 375 | 12,7 | 13,0 | 20 | 25 | 6.2 | 60 |
| A764816 | 5/8" | 8-10 | 190 | 320 | 450 | 15,0 | 16,0 | 30 | 30 | 7.7 | 110 |
| A764820 | 3/4" | 10-12 | 240 | 420 | 570 | 18,0 | 20,0 | 35 | 45 | 12.5 | 210 |
| A764824 | 1" | 14-16 | 325 | 520 | 740 | 22,0 | 28,0 | 65 | 51 | 20.0 | 510 |



STAINLESS STEEL

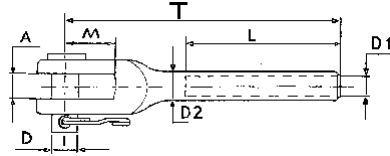
Material AISI 316. Highly polished

Anja Stainless Steel Swage Terminals

• Machined and drilled

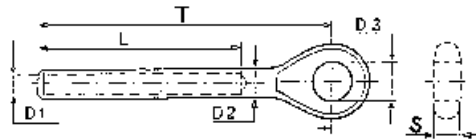
Anja Rustfrie Endestykker

• Maskinert og boret



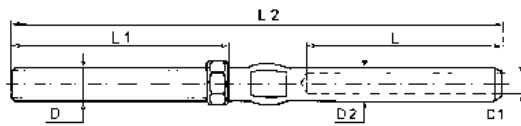
No. 710

| Art.no | Size mm | Wire mm | Outside dia D2 | Inside dia D1 | Inside length L | Jaw opn. A | Bolt dia D | T | | Weight kg./100 |
|---------|---------|---------|----------------|---------------|-----------------|------------|------------|-----|------|----------------|
| | | | | | | | | T | M | |
| A710806 | M6 | 3 | 6,3 | 3,2 | 36 | 5,2 | 5,0 | 54 | 10 | 3 |
| A710808 | M8 | 4 | 7,4 | 4,2 | 46 | 7,8 | 6,0 | 68 | 12,5 | 4 |
| A710810 | M10 | 5 | 9,1 | 5,3 | 53 | 9,1 | 8,0 | 83 | 14 | 7 |
| A710811 | M11 | 6 | 12,4 | 6,4 | 66 | 10,1 | 9,5 | 100 | 17 | 14 |
| A710812 | M12 | 7 | 14,4 | 7,4 | 72 | 11,0 | 11,0 | 110 | 20 | 18 |
| A710816 | M16 | 8 | 16,0 | 8,4 | 78 | 13,0 | 13,0 | 120 | 22 | 29 |
| A710820 | M20 | 10 | 17,9 | 10,4 | 84 | 16,0 | 16,0 | 140 | 30 | 42 |
| A710821 | M20 | 12 | 20,0 | 12,5 | 90 | 20,0 | 18,0 | 160 | 35 | 70 |



No. 711

| Art.no | Size mm | Wire mm | Outside dia D2 | Inside dia D1 | Inside length L | Eye opn. D3 | Eye thickness S | T | Weight kg/100 |
|---------|---------|---------|----------------|---------------|-----------------|-------------|-----------------|-----|---------------|
| | | | | | | | | | |
| A711808 | M8 | 4 | 7,5 | 4,4 | 45 | 8,5 | 5,0 | 67 | 3 |
| A711810 | M10 | 5 | 9,0 | 5,3 | 51 | 10,5 | 6,0 | 76 | 4 |
| A711811 | M11 | 6 | 12,5 | 6,5 | 64 | 13,0 | 8,0 | 94 | 9 |
| A711812 | M12 | 7 | 14,2 | 7,5 | 70 | 13,0 | 9,0 | 104 | 11 |
| A711816 | M16 | 8 | 16,0 | 8,4 | 83 | 14,5 | 10,0 | 118 | 17 |
| A711820 | M20 | 10 | 17,8 | 10,5 | 89 | 16,3 | 11,0 | 142 | 25 |



No. 712

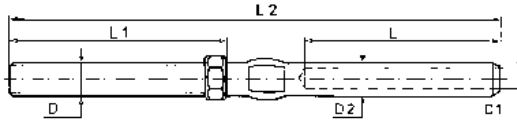
| Art. no | Thread UNF D | Wire mm | Outside dia D2 | Inside dia D1 | Inside length L | Length thread L1 | Length total | | NV | Weight pcs/100 |
|---------|--------------|---------|----------------|---------------|-----------------|------------------|--------------|----|----|----------------|
| | | | | | | | L1 | L2 | | |
| A712806 | 1/4" | 3 | 6,3 | 3,2 | 36 | 43 | 96 | 5 | 2 | |
| A712808 | 5/16" | 4 | 7,4 | 4,2 | 46 | 53 | 120 | 6 | 4 | |
| A712810 | 3/8" | 5 | 9,1 | 5,3 | 53 | 60 | 135 | 8 | 6 | |
| A712811 | 7/16" | 6 | 12,4 | 6,4 | 66 | 70 | 155 | 11 | 8 | |
| A712812 | 1/2" | 7-8 | 14,4 | 7,4 | 72 | 80 | 175 | 12 | 13 | |
| A712816 | 5/8" | 8-10 | 16,0 | 8,4 | 78 | 92 | 200 | 14 | 28 | |
| A712820 | 3/4" | 10 | 17,9 | 10,4 | 84 | 114 | 225 | 16 | 35 | |
| A712821 | 3/4" | 12 | 20 | 12,5 | 90 | 125 | 250 | 17 | 55 | |

For Stud Terminals specify UNF or metric thread.

Bestilles med UNF eller metriske gjenger.



No. 712



| Art.no | Thread metric | Wire mm | Outside dia D2 | Inside dia D1 | Inside length L | Length thread L1 | Lengt total L2 | NV | Weight pcs/100 |
|---------|---------------|---------|----------------|---------------|-----------------|------------------|----------------|----|----------------|
| A712906 | M6 | 3 | 6,3 | 3,2 | 36 | 43 | 96 | 5 | 2 |
| A712908 | M8 | 4 | 7,4 | 4,2 | 46 | 53 | 120 | 6 | 4 |
| A712910 | M10 | 5 | 9,1 | 5,3 | 53 | 60 | 135 | 8 | 6 |
| A712911 | M11 | 6 | 12,4 | 6,4 | 66 | 70 | 155 | 11 | 8 |
| A712912 | M12 | 7 | 14,4 | 7,4 | 72 | 80 | 175 | 12 | 13 |
| A712913 | M12 | 8 | 16,0 | 8,4 | 80 | 90 | 200 | 14 | 13 |
| A712916 | M16 | 8 | 16,0 | 8,4 | 80 | 90 | 200 | 14 | 28 |
| A712917 | M16 | 10 | 17,9 | 10,4 | 90 | 100 | 220 | 15 | 28 |
| A712920 | M20 | 10 | 17,9 | 10,4 | 90 | 115 | 225 | 15 | 35 |
| A712921 | M20 | 12 | 20,0 | 12,5 | 108 | 115 | 245 | 17 | 55 |

For Stud Terminals specify UNF or metric thread.

Bestilles med UNF eller metriske gjenger.

Material AISI 316. Highly polished

Anja Stainless Steel Rigging Screws

- Closed Body with Pelican hook
- Machined Parts

No. 773 Jaw and Pelican Hook

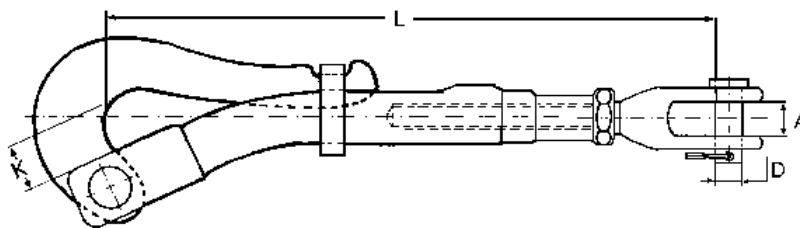
No. 7312 Bolt Terminal and Pelican Hook

Anja rustfrie strekkskruer

Lukket hylse med pelikankrok
Maskinert

Nr. 773 Gaffel og pelikankrok

Nr. 7312 Bolt endestykke og pelikankrok



| Art.no | Size UNF | Wire mm | Length min L | Length max L | Bolt dia D | Inside jaw A | Inside hook K | MBL ton | Weight 100 pcs |
|---------|----------|---------|--------------|--------------|------------|--------------|---------------|---------|----------------|
| A773808 | 5/16" | 4 | 140 | 175 | 6,0 | 7,8 | 10 | 0,18 | 14 |
| A773811 | 7/16" | 6 | 185 | 230 | 9,5 | 10,1 | 18 | 0,37 | 32 |



STAINLESS STEEL

Anja Stainless Steel Dee Shackles

- Material: AISI 316
- Finish: Highly polished
Høyglanspolert

Forged Shackles to the utmost Quality and Performance
Smidde sjakler for fremragende kvalitet og sikkerhet.

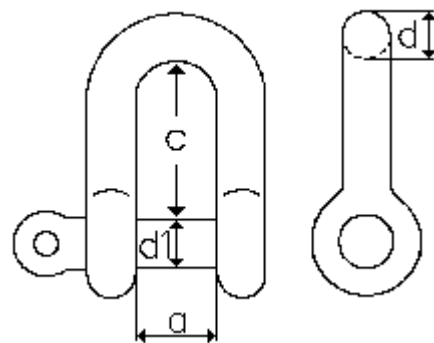
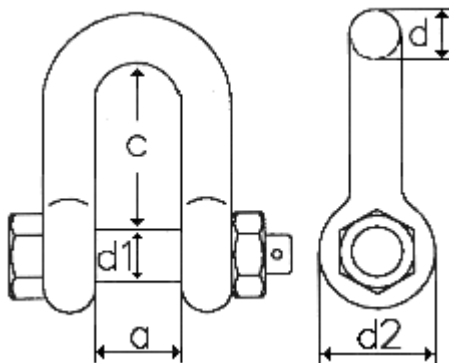
NOTE: Deformation load Appr . 2 x WLL – Deformasjonslast (flyt) ca 2 x WLL
Oversized pin from M16 – Overdimensjon pinn fra M16.

| Art.no No 735 | Art.no No 730 | Size | | | | MBL Ton | WLL Ton | Weight kg/100 |
|------------------|------------------|------|----|----|------|------------|------------|------------------|
| | | d1 | a | c | d | | | |
| | A073004 | M4 | 8 | 17 | 4,0 | 0,8 | | 1 |
| | A073005 | M5 | 10 | 20 | 5,0 | 1,2 | | 2 |
| | A073006 | M6 | 12 | 24 | 6,0 | 1,8 | | 4 |
| | A073008 | M8 | 16 | 32 | 8,0 | 2,8 | 0,4 | 7 |
| | A073010 | M10 | 20 | 38 | 9,5 | 4,3 | 0,6 | 11 |
| | A073011 | M11 | 22 | 44 | 11,0 | 5,2 | 7,5 | 17 |
| A073512 | A073012 | M12 | 26 | 50 | 12,0 | 6,5 | 0,9 | 25 |
| A073516 | A073016 | M16 | 24 | 52 | 13,0 | 12,0 | 1,5 | 40 |
| A073520 | A073020 | M20 | 28 | 65 | 16,0 | 16,0 | 2,5 | 60 |
| A073522 | A073022 | M22 | 30 | 72 | 19,0 | 20,0 | 3,0 | 90 |
| A073524 | A073024 | M25 | 32 | 78 | 19,0 | 28,0 | 4,0 | 110 |
| A073530 | A073030 | M30 | 40 | 94 | 25,0 | 40,0 | 6,0 | 240 |

Larger sizes upon inquiry / Større dimensjoner på forespørsel

No. 735 with Safety Bolt
Available sizes M12 - M30

No. 730-D with screw eye pin
Available sizes M4 - M30





Anja Stainless Steel Bow Shackles

- Material: AISI 316
- Finish: Highly polished / Høyglanspolert

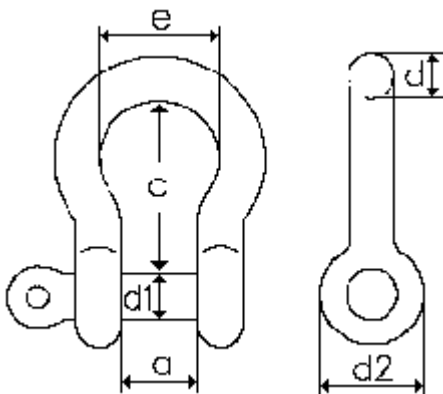
Forged Shackles to the utmost Quality and Performance / Smidde sjakler for fremragende kvalitet og sikkerhet.

NOTE: Deformation load Appr. 2 x WLL / Deformasjonslast (flyt) ca 2 x WLL
Oversized pin from M16 / Overdimensjon pinn fra M16

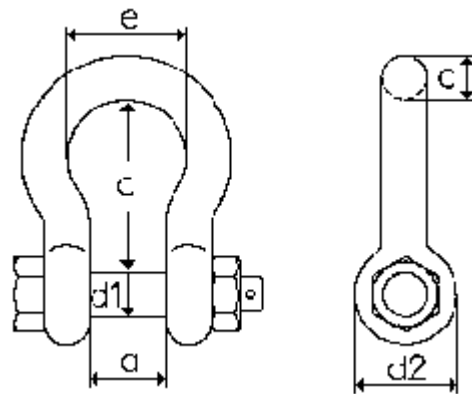
| Art.no | Size | | | | | | MBL Ton | WLL Ton | Weight 100 pcs |
|-------------|------|-----|----|----|----|----|------------|------------|----------------------|
| | d1 | d | a | c | e | d2 | | | |
| Ref. figure | M4 | 4 | 8 | 18 | 13 | 9 | 0,8 | | 1 |
| Ref. figure | M5 | 5 | 10 | 18 | 15 | 10 | 1,2 | | 2 |
| Ref. figure | M6 | 6 | 12 | 22 | 17 | 12 | 1,8 | | 4 |
| Ref. figure | M8 | 8 | 16 | 30 | 23 | 16 | 2,8 | 0,4 | 7 |
| Ref. figure | M10 | 9,5 | 20 | 36 | 27 | 20 | 4,3 | 0,6 | 11 |
| Ref. figure | M12 | 12 | 25 | 47 | 37 | 26 | 6,5 | 0,9 | 25 |
| Ref. figure | M16 | 13 | 25 | 47 | 33 | 33 | 11,0 | 1,5 | 37 |
| Ref. figure | M20 | 16 | 28 | 60 | 42 | 40 | 15,0 | 2,5 | 65 |
| Ref. figure | M22 | 19 | 30 | 67 | 51 | 47 | 18,0 | 3,0 | 100 |
| Ref. figure | M25 | 22 | 36 | 84 | 57 | 50 | 25,0 | 4,0 | 170 |
| Ref. figure | M30 | 25 | 40 | 95 | 66 | 58 | 40,0 | 6,0 | 250 |

Larger sizes upon inquiry / Større dimensjoner på forespørsel

No. 750-H with screw eye pin
Available sizes M4 - M 30
Art.no.: A075006-30 (dim)



No. 755-H with safety bolt
Available sizes M12-M30
Art.no.: A075012-30 (dim)





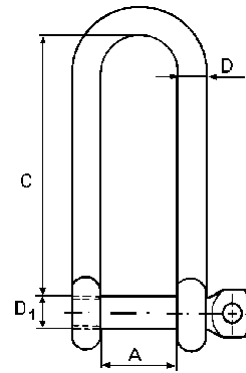
STAINLESS STEEL

Anja Stainless Steel Forged Shackles

- Material: AISI 316
- Finish: Highly polished / Høyglanspolert

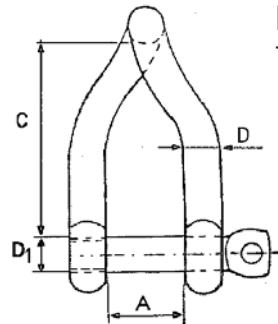
Forged Shackles to the utmost Quality and Performance / Smidde sjakler for fremragende kvalitet og sikkerhet.

| Art.no | Size D1 | A | C | D | MBL ton | Weigth 100/kg |
|---------|------------|----|----|---|------------|------------------|
| A073104 | M4 | 8 | 30 | 4 | 0,8 | 1 |
| A073105 | M5 | 10 | 40 | 5 | 1,2 | 2 |
| A073106 | M6 | 12 | 50 | 6 | 1,8 | 4 |
| A073108 | M8 | 16 | 64 | 8 | 2,8 | 9 |



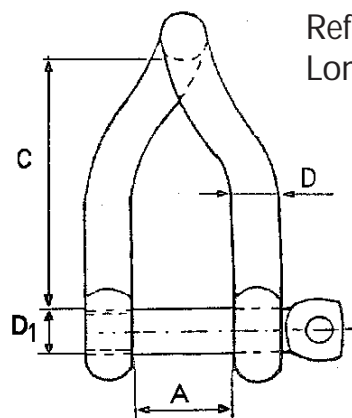
Ref 731
Long D

| Art.no | Size D1 | A | C | D | MBL ton | Weigth 100/kg |
|---------|------------|----|----|-----|------------|------------------|
| A074004 | M4 | 8 | 18 | 4 | 0,8 | 1 |
| A074005 | M5 | 10 | 18 | 5 | 1,2 | 2 |
| A074006 | M6 | 12 | 22 | 6 | 1,8 | 4 |
| A074008 | M8 | 16 | 30 | 8 | 2,8 | 7 |
| A074010 | M10 | 20 | 33 | 9,5 | 4,3 | 11 |



Ref 740
Twisted

| Art.no | Size D1 | A | C | D | MBL ton | Weigth 100/kg |
|---------|------------|----|----|---|------------|------------------|
| A074104 | M4 | 8 | 28 | 4 | 0,8 | 1 |
| A074105 | M5 | 10 | 36 | 5 | 1,2 | 2 |
| A074106 | M6 | 12 | 42 | 6 | 1,8 | 4 |
| A074108 | M8 | 16 | 56 | 8 | 2,8 | 9 |



Ref 741
Long Twisted



Wooden Blocks for Manilla and Syntetic Rope Regular Wood Shell Blocks

Steel straps and forged end fittings hot dip galvanized
Becket furnished on all blocks, round thimbles optional
Supplied with loose round eye side hook or shackle
Swivel hook and eye quoted on request



Art. no. 201 With hook

Art. no. 203 With shackle

Bearing code: Nylon = N, common iron = C, bronze bush = B.

NOTE: Ultimate load 4,5 times Resultant Working Load Limit (RWLL). For single blocks certified WLL is half of RWLL

| Block Sizes Inches | Rope Dia. inches | Resultant Working Load Limit (kps) | | | Appr. weigth each (kgs) | | | | | |
|-----------------------|---------------------|------------------------------------|------|------|-------------------------|------|------|--------------|-----|-----|
| | | 1 | 2 | 3 | Iron sheave | | | Nylon sheave | | |
| | | | | | 1 | 2 | 3 | 1 | 2 | 3 |
| 3" | 3/8" | 200 | 350 | 500 | 0,3 | 0,4 | - | 0,3 | 0,4 | - |
| 4" | 1/2" | 400 | 650 | 800 | 0,8 | 1,1 | 2,0 | 0,6 | 0,8 | 1,0 |
| 5" | 5/8" | 500 | 800 | 1000 | 1,3 | 1,9 | 2,9 | 1,1 | 1,4 | 1,7 |
| 6" | 3/4" | 800 | 1100 | 1400 | 1,9 | 2,9 | 3,7 | 1,5 | 2,0 | 2,5 |
| 7" | 7/8" | 900 | 1350 | 1700 | 3,3 | 4,8 | 6,0 | 2,4 | 3,2 | 3,8 |
| 8" | 1" | 1200 | 1700 | 2100 | 4,2 | 6,0 | 7,7 | 3,3 | 4,5 | 5,2 |
| 10" | 1 1/8" | 1800 | 2700 | 3400 | 8,0 | 11,2 | 14,4 | - | - | - |

MERK: Min. bruddlast oppheng 4,5 ganger RWLL
Enkle blokker sertifiseres for 50% av RWLL

Trebløkker for Tauverk

Beslag og oppheng er varmgalvanisert

Leveres med hunsvott, kauser monteres etter ønske

Krok eller sjakkel i toppbeslaget

Krok eller øye med svivel tilbys på forespørsel

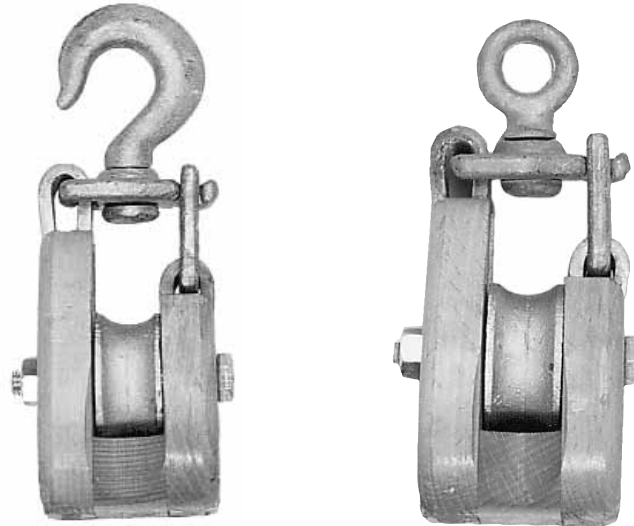
Blokkskiver av nylon eller støpejern, evt. med bronseforing.



WOODEN BLOCKS

Wooden Blocks for Manilla and Syntetic Rope Wood Shell Snatch Blocks With Iron Rolls

A rigid construction for utmost performance
 Drop forged heads and links
 Steel straps and forgings all hot dip galvanized
 Furnished with swivel hook or swivel eye
 Common Iron Sheaves



NOTE: Ultimate load 4,5 times Resultant Working Load Limit (RWLL)
 Can be marked with WLL half the RWLL

| Block Sizes Inches | Rope Dia. inches | Roll Dia.xThick mm | Opening | | Resultant Safe work Load kps | Appr.weigth | |
|--------------------------|------------------------|--------------------------|------------|-----------|------------------------------------|-------------|------------|
| | | | Hook mm | Eye mm | | Hook kgs | Eye kgs |
| 4" | 1/2" - 5/8" | 50x24 | 20 | 17 | 500 | 1,2 | 1,0 |
| 6" | 3/4" - 7/8" | 76x32 | 30 | 23 | 950 | 3,0 | 2,6 |
| 8" | 7/8" - 1" | 125x45 | 40 | 27 | 1900 | 6,4 | 5,7 |
| 10" | 1" - 1/4" | 140x57 | 45 | 38 | 2600 | 10,5 | 9,3 |

MERK: Min. bruddlast oppheng 4,5 ganger RWLL
 Blokkene kan merkes med WLL halvparten av RWLL

Trehus kasteblokker med støpejernsroller for tauverk
 Senkesmidd toppbeslag og oppheng
 Varmgalvanisert beslag og oppheng
 Leveres med sviveløye eller svivelkrok



Spare Parts and Fittings

Sheaves for regular wood blocks / Måltabell for vanlige blokkskiver

Bearing code: Common iron (C), Bronze bush (B), Nylon (N)

| For block size | Dia. x Thickness mm | Hole dia. mm | Rope dia. inches | Weight each | |
|----------------|---------------------|--------------|------------------|-------------|------------|
| | | | | iron kgs. | nylon kgs. |
| 3" | 45 x 14 | 6,5 | 3/8" | 0,09 | 0,01 |
| 4" | 58 x 19 | 9,7 | 1/2" | 1,18 | 0,02 |
| 5" | 70 x 22 | 9,7 | 5/8" | 0,30 | 0,04 |
| 6" | 81 x 24 | 11,6 | 3/4" | 0,50 | 0,06 |
| 7" | 100 x 30 | 13 | 7/8" | 0,65 | 0,10 |
| 8" | 120 x 30 | 16,3 | 1" | 1,05 | 0,14 |
| 10" | 138 x 32 | 19,5 | 1 1/8" | 1,40 | - |



Iron Rolls for Wood Snatch Blocks / Måltabell ruller for kasteblokker

| For block size | Dia. x Thickness mm | Hole dia. mm | Rope dia. inches |
|----------------|---------------------|--------------|------------------|
| 4" | 50 x 24 | 11 | 0,2 |
| 6" | 76 x 32 | 14 | 0,5 |
| 8" | 125 x 45 | 19 | 1,7 |
| 10" | 140 x 57 | 23 | 3,0 |



Drop Forged Round Eye Loose Hooks, Normalized and hot dip galvanized / Måltabell senkesmidde kroker for treblokker, krokene er normalisert og varmgalvanisert

| For block size | Opening eye mm | Gap hook inches | Weight each kgs. |
|----------------|----------------|-----------------|------------------|
| 3" | 16 | 1/2" | 0,1 |
| 4" | 22 | 5/8" | 0,2 |
| 5" | 24 | 3/4" | 0,3 |
| 6" | 29 | 7/8" | 0,5 |
| 7" | 29 | 7/8" | 0,5 |
| 8" | 36 | 1 1/8" | 0,9 |
| 10" | 47 | 1 1/2" | 2,3 |



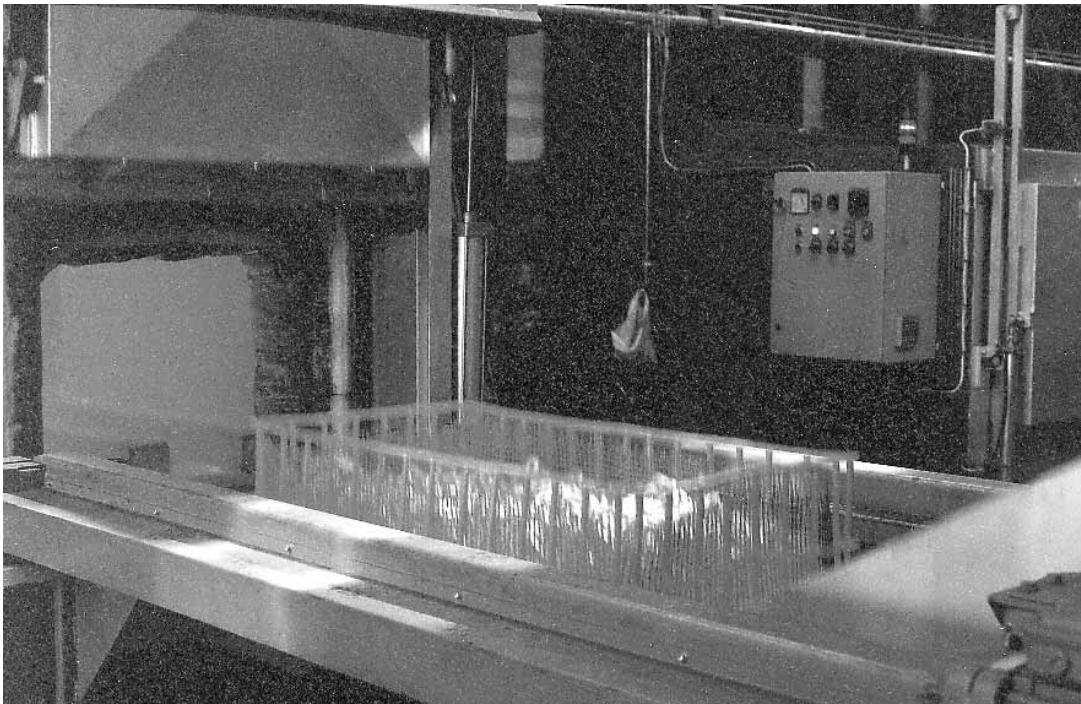


Hot forging and controlled Heat Treatment are key factors to guarantee the consistent Anja quality of every single component.

Varmsmiing og styrte prosesser for varmebehandling er avgjørende faktorer for å sikre overensstemmende kvalitet på hvert eneste ANJA produkt.



Forged, unbended shackle components – Smidde sjakler før bukking



Heat Treatment in Controlled Furnace Atmosphere – Seigherding i ovn med kontrollert atmosfære.



TESTING AND CERTIFICATES

Test Certificates

All forged components may be pull tested and supplied with the relevant Test Certificate issued by the manufacturer. Further test certificates by official classification authorities can be supplied on request.

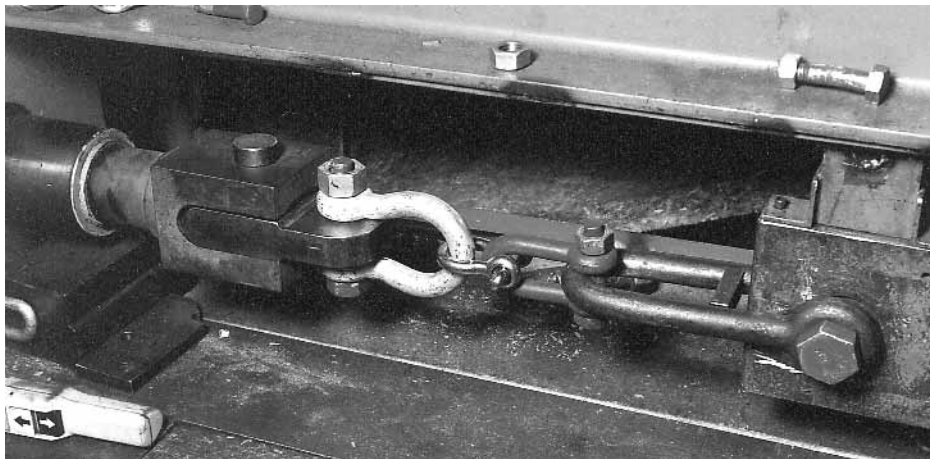
Material Documentation

3.1.B certificates of the raw material or the material in the finished condition may be supplied when stated in the catalogue specification for the relevant product.

Marking

The «Anja» products which can be supplied with a workcertificate are normally marked with:

- Working Load Limit (metric tons)
- The manufacturer's logo
- Tracability code
- Grade of steel (shackles only)
- CE mark to confirm conformity with the Machinery Directive (shackles only)



Prøvesertifikater

Alle smidde produkter kan strekkprøves og leveres med prøvesertifikat fra produsenten. På forlangende kan også sertifikater fra internasjonale klasseselskaper (DnV, Lloyds etc.) leveres.

Materialdokumentasjon

Når det fremgår av katalogen, kan produktene leveres med 3.1.B sertifikat.

Merking

Produkter som leveres med prøvesertifikat er normalt merket som følger:

- Største tillatte arbeidslast (WLL) i tonn.
- Produsentens logo
- Sporbarhetsmerking
- Materialklasse (3, 6 eller 8), gjelder kun sjakler
- CE merke som bekrefter samsvar med Maskindirektivet, kun sjakler

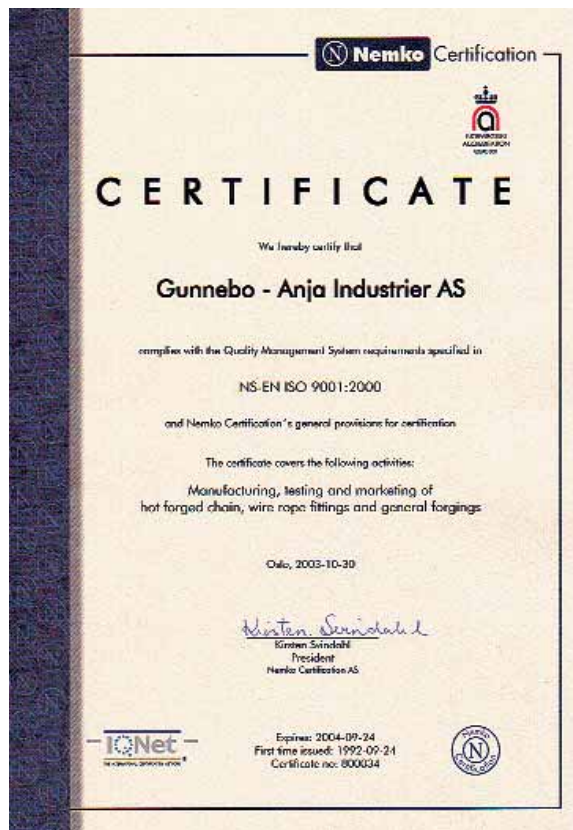


Within the lifting and tackle industry onshore and offshore there is a growing awareness and concern about product safety and reliability.

In Europe this is also expressed in The Machinery Directive 89/392/EEC and later amendments which further highlights the responsibility of the manufacturer, distributor and end user of lifting gear.

The «Anja» products are specified, monitored and documented in compliance with the most stringent requirements for the product concerned. A certified ISO 9001-2000 system is an evidence of our quality standard.

We appreciate the trust shown us when specifying, ordering and using the «Anja» products.



Det registreres stadig skjerpene krav til sikkerhet og pålitelighet for utstyr og komponenter som brukes til løft og surring både offshore og innenfor landbasert industri.

Dette fremkommer for eksempel i Maskindirektivet 89/392/EEC med senere tillegg hvor spesielt produsentenes, distributørens og brukerens ansvar fremheves.

Våre «Anja» produkter er spesifisert, kontrollert og dokumentert i henhold til de strengeste krav for det aktuelle produktet.

Vårt ISO 9001-2000 sertifiserte kvalitetskontrollsystemer er grunnlaget for vårt kvalitetsarbeid.

Vi er innforstått med våre kunders tillitt når de spesifiserer, bestiller og anvender «Anja» produkter.