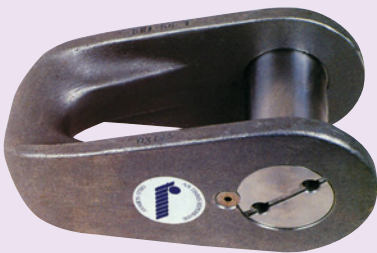




BOSS LINK 120/165T

FOR EFFECTIVE MOORING



**BOSS LINK
120/165 TONNES**

BOSS LINK has the following advantages when compared to traditional links for mooring:

- made of stainless steel
- increased breaking load
- larger inside width to prevent damage to rope

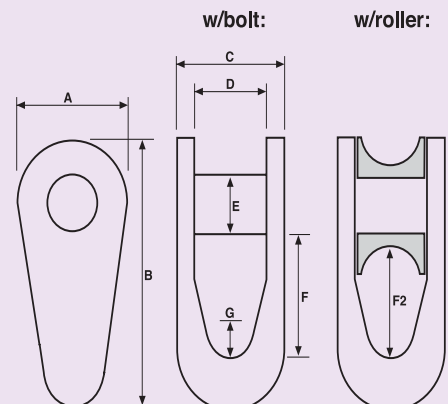
BOSS LINK's are made in Norway and type approved by Det Norske Veritas(DnV).

120 tonnes for forerunner 6-10" circ. 165 tonnes for forerunner 10-14" circ.



**BOSS LINK
120/165 TONNES
with roller**

	120 TONNES	165 TONNES
A	134mm	150mm
B	283mm	325mm
C	127mm	165mm
D	100mm	120mm
E	64mm	75mm
F	134mm	150mm
F2	124mm	138mm
G	32mm	34mm
MBL:	120 tonnes	165 tonnes
weight w/bolt	11.6kg	19.6kg
weight w/roller	15.4kg	24.8kg





GN ROPE FITTINGS

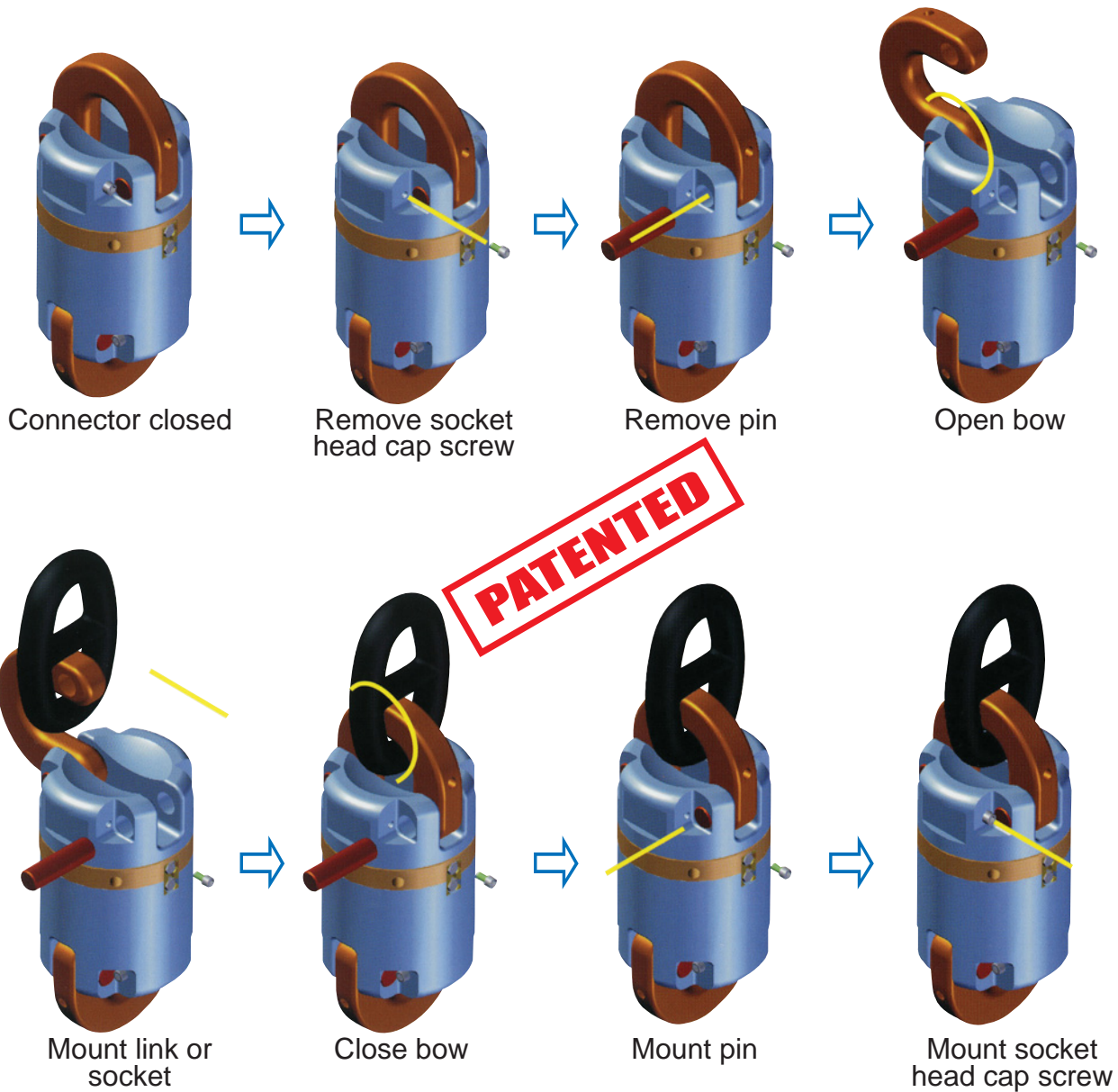




CR-D connector

(Chain Rope integrated Detachable connectors)

This connector can be used in various applications, and offers great ease when connecting sockets and swivels. Now you don't need Kenter-shackles, pear links, connecting links or any other extra parts anymore to make a safe and reliable connection.

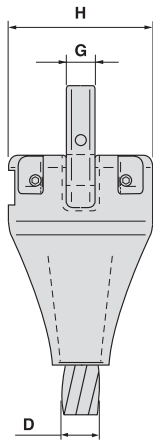
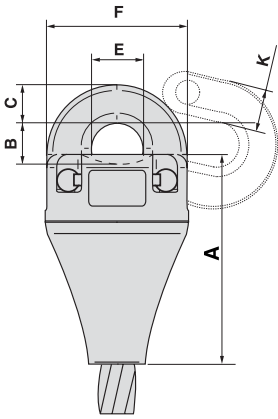


- This unique design perfectly fits the requirements for connecting chain, rope or other accessories.
- These integrated connectors offer easy handling and mounting.
- The high grade material we use, provides a small and light weight product.
- The clamp is designed to fit a common chain link, without removing the stud.
- The bearings offer a very high bearing load, with a low friction, suitable for sub-water applications.



CR-D connector

(Chain Rope integrated Detachable connectors)

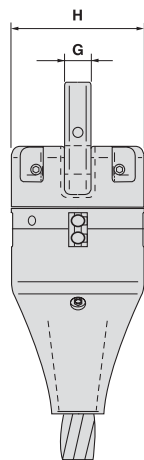
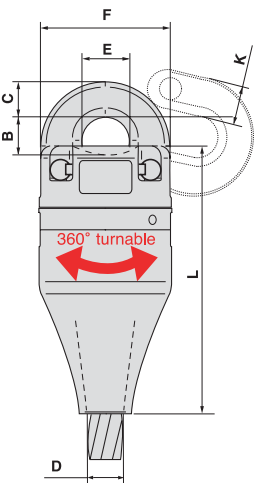


PATENTED

600 SERIE

CR-D SOCKET TYPE SO6

Material : High grade steel
 Safety : 5 times
 Finish : Painted
 Certificate : Proofload, Manufacturer certificate

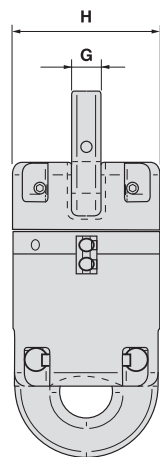
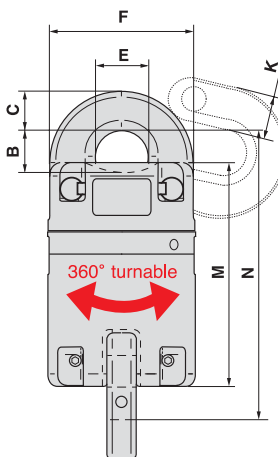


PATENTED

700 SERIE

CR-D ROPE SWIVEL TYPE SW5

Material : High grade steel
 Safety : 5 times
 Finish : Painted
 Certificate : Proofload, Manufacturer certificate



PATENTED

800 SERIE

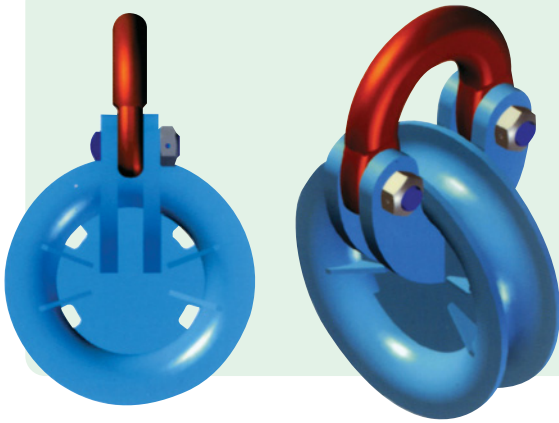
CR-D CHAIN SWIVEL TYPE SW4

Material : High grade steel
 Safety : 5 times
 Finish : Painted
 Certificate : Proofload, Manufacturer certificate

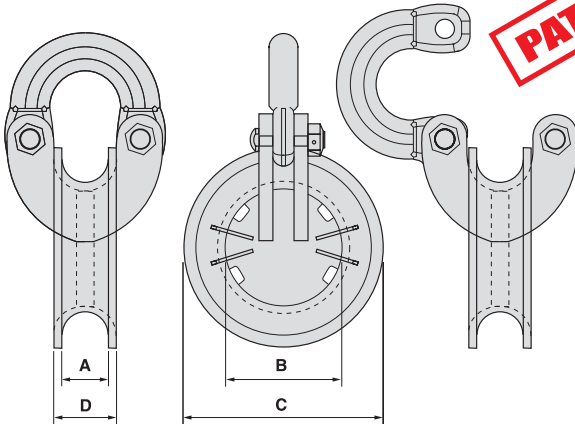
Type SO6	Type SW5	Type SW4	Wire dia. mm	Suitable chain	SWL tons	MBL tons	ALL SERIES												
							B mm	C mm	E mm	F mm	G mm	H mm	K mm	600 SERIES		700 SERIES			800 SERIES
															A mm	D mm	L mm	M mm	N mm
622	722	822	2"-2 1/4"	2"	50	250	70	60	84	222	45	228	69	300	59	463	348	452	
626	726	826	2 1/2"-2 3/4"	2 1/2"	80	400					(in development)								
628	728	828	3"-3 1/4"	3"	120	600	120	100	112	340	70	380	114	465	86	645	520	690	
630	730	830	3 1/2"-3 3/4"	3 1/2"	160	800	140	120	140	400	80	430	130	520	99	780	610	850	
633	733	833	4"-4 1/2"	4"	200	1000					(in development)								



CR-D Thimbles



The CR-D Thimbles is specially designed for a connection between chain and synthetic rope. It will fulfil the latest design requirements for deepwater mooring.



PATENTED

CR-D Thimble

Material : High grade steel

Safety : 5 times

Finish : Painted

Certificate : Proofload, Manufacturer certificate

Rope dia. mm±5	P.L. tons	M.B.L. tons	U.B.L. mm	A mm-0+5	B mm±3%	C mm±4%	D mm±5
110	325	375	490	130	393	570	170
120	370	425	500	140	393	580	180
130	400	500	650	155	495	690	200
140	500	650	730	170	495	705	215
150	550	750	860	180	545	770	225
160	600	800	1000	190	545	780	235
170	675	900	1100	200	600	850	245
190	750	1000	1250	220	600	860	265
210	1000	1250	1500	240	740	1040	285
230	1250	1500	1800	270	740	1070	315
250	1500	1750	2000	290	890	1260	335
270	1750	2000	2300	310	890	1280	355



Notes : Above given dimensions are standard, on request we can change, dimensions and loads.

We reserve the right for design change



Cable laying Equipment



GRAPNEL JAMMING

Material : High tensile steel
Finish : Painted (red oxide)
Remark : A Grapnel jamming is delivered fully assembled.
Spare grapnels and shackles may be ordered separately.



CABLE CUTTER HOOK

Material : High tensile steel
Finish : Painted (red oxide)
Remark : A cable cutter hook is delivered including 1 blade type.
Spare blade types may be ordered separately.



GRAPNEL RENNIE WELDED TYPE

Material : High tensile steel
Finish : Painted (red oxide)
Remark : A grapnel Rennie welded type is delivered fully assembled. No spare parts can be ordered.



LONG LINE CUTTER

Material : Stainless steel AISI 316
Finish : Painted (red oxide)
Remark : Spare parts may be ordered on special request.



GRAPNEL RENNIE REMOVABLE HOOK TYPE

Material : High tensile steel
Finish : Painted (red oxide)
Remark : A grapnel Rennie removable hook type is delivered fully assembled. Spare hooks and spare lock pins may be ordered separately.



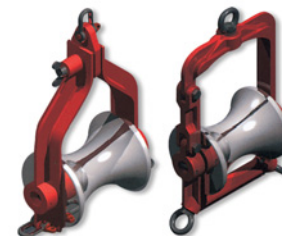
TORPEDO SOCKET - TORPEDO SWIVEL SOCKET

Material : High tensile steel
Finish : Painted (red oxide)
Remark : On special request the torpedo socket and the torpedo swivel socket may be delivered in stainless steel or in aluminum.



GRAPNEL SAND - GRAPNEL SPEARPOINT

Material : High tensile steel
Finish : Painted (red oxide)
Remark : Both grapnel spearpoint grapnel / grapnel sand are delivered assembled and with 1 shackle.
The suitable shackle could be recommended.



SWING CABLE SHEAVE - CABLE SHEAVE

Material : High tensile steel
Finish : Painted (red oxide)
Remark : All types of cable sheave are delivered fully assembled, including roller and necessary lifting equipment.