



STEEL WIRE ROPES

STEEL WIRE ROPES WITH FIBRE CORE, ISO 2408

- will be delivered on plastic or wooden drum
- coating: galvanized



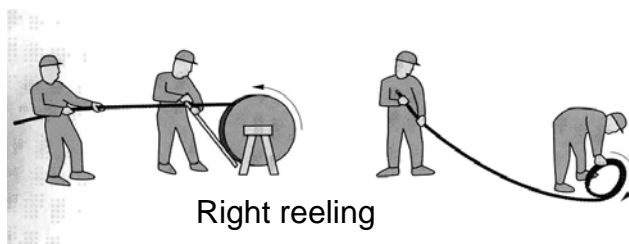
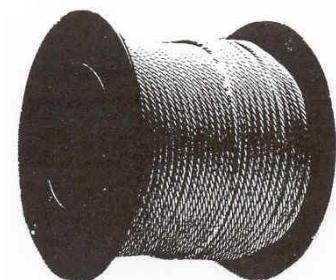
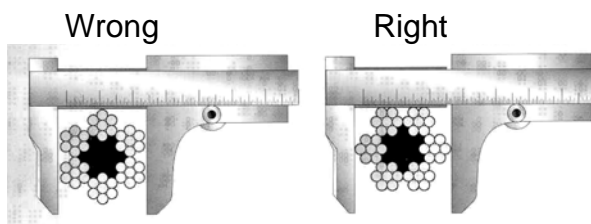
42 - w

114 - w

144 - w

Wire dimen. mm	Minimum breaking strength kg	Lay	No of wires	Weight kg / 100 m	Product code on drum 50 / 100 / 110 m	Product code on drum 100 / 220 / 250 / 500 / 1000 / 1100 m
1	95	1x12+FC	12	0,7	TEK01100	TEK01250
1,5	120	6x7+FC	42	1,1	TEK015100	TEK015250
2	240	6x7+FC	42	1,4	TEK02110	TEK02220
3	540	6x7+FC	42	3,1	TEK03110	TEK03220
4	950	6x19+FC	114	5,6	TEK04110	TEK04220
5	1380	6x19+FC	114	8,5	TEK05110	TEK05250
6	2000	6x19+FC	114	12,2	TEK06110	TEK06250
8	3550	6x24+FC	144	23,3	TEK0850	TEK08100
10	5060	6x24+FC	144	32,2	TEK1050	TEK10100
12	7280	6x24+FC	144	46,4	TEK1250	TEK12100
14	9910	6x24+FC	144	63,1	TEK1450	TEK14100
16	13000	6x24+FC	144	82,4	-	TEK16500
18	16400	6x24+FC	144	104,0	-	TEK18
20	22200	6x19+FC	114	145,0	-	TEK20
22	26800	6x19+FC	114	176,0	-	TEK22

Other dimensions and lays also available





STEEL WIRE ROPES

STEEL WIRE ROPES WITH FIBRE CORE, 216 - WIRES

- made according to standard ISO 2408
- will be delivered on plastic or wooden drum
- coating: galvanized
- where to use : wire rope slings, cranes, etc.



Wire dimen. mm	Minimum breaking strength kg	Lay	No of wires	Weight kg / 100 m	Product code
6	2200	6x36+FC	216	13,3	TEK21606
8	3710	"	"	23,7	TEK21608
10	5950	"	"	37,1	TEK21610
12	8570	"	"	53,4	TEK21612
14	11600	"	"	72,7	TEK21614
16	15200	"	"	94,9	TEK21616
18	19200	"	"	120,0	TEK21618
20	23800	"	"	148,0	TEK21620
22	28800	"	"	179,0	TEK21622
24	34300	"	"	214,0	TEK21624
26	40200	"	"	251,0	TEK21626
28	46700	"	"	291,0	TEK21628
30	53600	"	"	334,0	TEK21630
32	61000	"	"	380,0	TEK21632

STEEL WIRE ROPES WITH STEEL CORE, 265 - WIRES

- made according to standard ISO 2408
- will be delivered on plastic or wooden drum
- coating: galvanized
- where to use : cranes, hoists, winches, etc.



Wire dimen. mm	Minimum breaking strength kg	Lay	No of wires	Weight kg / 100 m	Product code
13	10900	6x36+IWR	265	60,0	TEK26513
14	12600	"	"	81,8	TEK26514
16	16400	"	"	107,0	TEK26516
18	20800	"	"	136,0	TEK26518
20	25700	"	"	167,0	TEK26520
22	31100	"	"	202,0	TEK26522
26	43400	"	"	283,0	TEK26526
28	50300	"	"	328,0	TEK26528
30	57800	"	"	376,0	TEK26530
32	65800	"	"	428,0	TEK26532

Other dimensions and lays also available.



STEEL WIRE ROPES

STEEL WIRE ROPES WITH STEEL CORE, 133 - WIRES

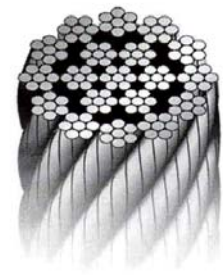
- made according to standard ISO 2408
- will be delivered on plastic or wooden drum (factory packing)
- coating: galvanized
- where to use : cranes, hoists, winches, etc.



Wire dimen. mm	Minimum breaking strength kg	Lay	No of wires	Weight kg / 100 m	Product code
4	956	6x19+IWS	133	6,0	TEK13304
5	1500	"	"	9,5	TEK13305
6	2160	"	"	13,8	TEK13306
8	3820	"	"	23,4	TEK13308
10	5970	"	"	38,1	TEK13310
12	8610	"	"	54,8	TEK13312

NON-ROTATION STEEL WIRE ROPES WITH STEEL CORE, 133 - WIRES

- made according to standard ISO 2408
- will be delivered on plastic or wooden drum (factory packing)
- coating: galvanized
- where to use : cranes, hoists, winches, etc.



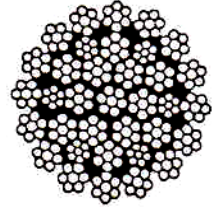
Wire dimen. mm	Minimum breaking strength kg	Lay	No of wires	Weight kg / 100 m	Product code
4	1050	18x7+IWR	133	6,4	TEKK04
5	1640	"	"	9,4	TEKK05
6	2360	"	"	13,6	TEKK06
8	4190	"	"	24,2	TEKK08
10	6560	"	"	37,8	TEKK10
12	9440	"	"	54,4	TEKK12
14	12800	"	"	74,1	TEKK14



STEEL WIRE ROPES

NON-ROTATION STEEL WIRE ROPE WITH STEEL CORE, 245 - WIRES

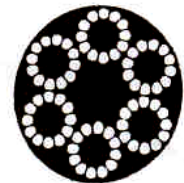
- will be delivered according to ordered length
- coating: galvanized
- where to use: mobil cranes, winches, etc.



Wire dimen.	Minimum breaking strength	Lay	No of wires	Weight	Product code
mm	kg			kg / 100 m	
8	5500	35x7	245	31,0	ANKÖ08
10	7600	"	"	45,0	ANKÖ10
12	10800	"	"	64,0	ANKÖ12
14	14900	"	"	89,0	ANKÖ14
16	19600	"	"	116,0	ANKÖ16
18	24500	"	"	145,0	ANKÖ18
19	28000	"	"	165,0	ANKÖ19
20	30400	"	"	180,0	ANKÖ20
22	37500	"	"	222,0	ANKÖ22
24	44700	"	"	264,0	ANKÖ24
25	48000	"	"	284,0	ANKÖ25

PVC COATED WIRE ROPES

- available on 100 /110 m and 200 / 250 m plastic or wooden drum
- wire coating: galvanized
- standard color of PVC is colourless clear
- other colors according to order



Wire dimen.	Minimum breaking strength	Lay	No of wires	Meters on drum	Weight	Product code
mm	kg			m	kg / 100 m	
2 / 3	240	6x7+FC	42	110/220	1,5	TKP23
3 / 4	540	"	"	110/220	3,1	TKP34
3 / 5	540	"	"	110/220	3,5	TKP35
4 / 6	960	"	"	100/250	6,2	TKP46
5 / 7	1380	6x19+FC	114	100	9,5	TKP57
6 / 8	2160	"	"	100/200	13,8	TKP68

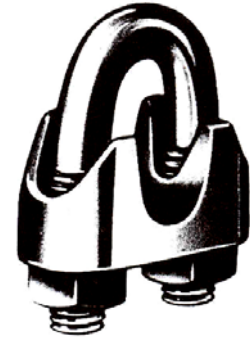


WIRE ROPE GRIPS

WIRE ROPE GRIP DIN – 741

- most common grip
- recommended to use at least three grips on joining point
- coating: galvanized

Wire diameter mm	Packing	Weight kg / 100 pcs	Product code
3	100	1,4	VL03
5	100	1,5	VL05
6	100	2,1	VL06
8	100	4,1	VL08
10	100	6,8	VL10
13	50	13,0	VL13
16	30	21,0	VL16
20	20	28,0	VL20
22	100	40,0	VL22
26	50	44,0	VL26
30	50	66,0	VL30
34	50	85,0	VL34
40	20	104,0	VL40



Right set up of grips

DUPLEX – WIRE ROPE GRIP

- small-sized grip with small dimensions
- coating: galvanized

Wire diameter mm	Packing	Weight kg / 100 pcs	Product code
2	100	1,0	VLDU2
3	100	1,7	VLDU3
4	100	2,5	VLDU4
5	100	4,5	VLDU5
6	100	6,2	VLDU6



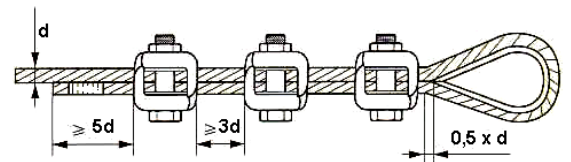
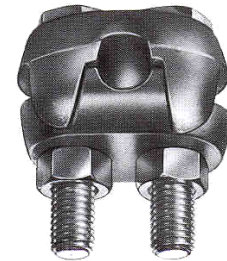


WIRE ROPE GRIPS

DEKA – WIRE ROPE GRIP

- for demanding places
- at least three grips on joining point
- coating: galvanized

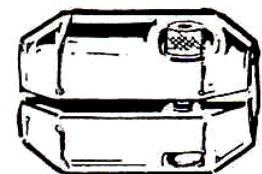
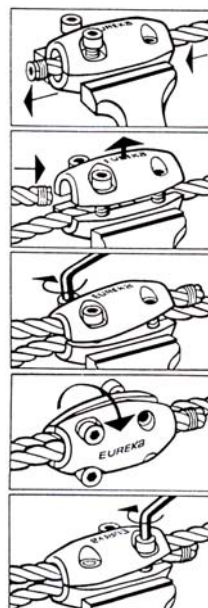
Wire diameter mm	Minimum no of grips on joining point	Weight kg / 100 pcs	Product code
5 - 6	3	10	VLDE06
7 - 8	3	16	VLDE08
9 - 10	3	24	VLDE10
10 - 12	4	33	VLDE12
13 - 16	4	58	VLDE16
18 - 20	5	95	VLDE20
21 - 25	6	160	VLDE25
26 - 35	7	410	VLDE35



EUREKA – WIRE ROPE GRIP

- for extra heavy conditions
- coating: galvanised
- at least three buckles on joining point

Wire diameter mm	Weight	Product code
4 - 5	0,06	VLEURE05
5 - 6	0,14	VLEURE06
7 - 8	0,24	VLEURE08
9 - 10	0,52	VLEURE10
11 - 12	0,52	VLEURE11
12 - 14	1,10	VLEURE14
15 - 16	1,70	VLEURE16
17 - 18	2,60	VLEURE18
19 - 21	4,50	VLEURE21



Bolts must be tensioned again:

- 1 hour after fixing
- 2 times during first 24 h-
at reasonable breaks
- appr. 1 month after fixing



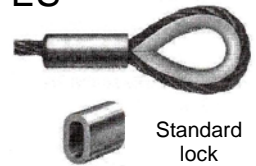
WIRE ROPE GRIPS

"TALURIT" PRESSURE LOCKS FOR STEEL WIRE ROPES

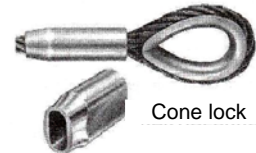
- fixable with tool (1 - 5 mm) or with press
- aluminium locks for standard wire rope
- copper locks for stainless steel wire ropes
- **stock articles 1 - 32 mm for aluminium locks and 1 - 12 mm for copper locks**
- other sizes with appr. 4 week delivery time

Productcode:TALU -- (-- is size for ex. 01 = 1mm)
for aluminium locks

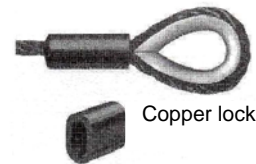
TALUK -- (-- is size for ex. 01 = 1mm)
for copper ferrules



Standard lock



Cone lock



Copper lock

MOUNTING TOOL FOR "TALURIT" LOCKS

- suitable for 1 – 3 mm and 1 – 6 mm wire ropes
- two types: clamp or table model
- coating : painted

Wire diameter mm	Type	Weight kg	Product code
1 - 3	Clamp	0,3	TALUPI3
1 - 6	Clamp	2,7	TALUPI6
1 - 6	Table	7,5	TALUPI6P

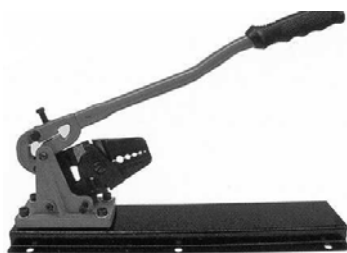


Table model



Clamp model



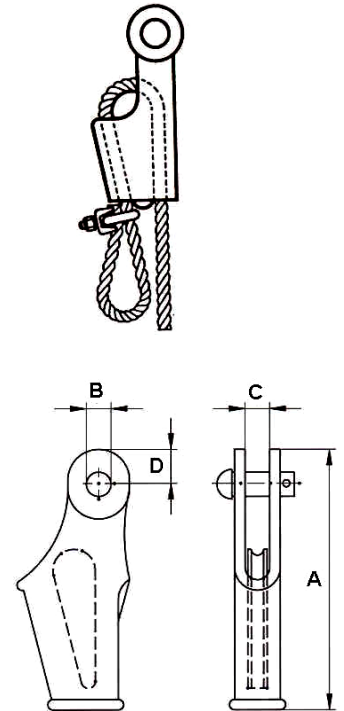
WEDGE SOCKETS

WEDGE SOCKETS FOR WIRE ROPES TYPE 6413

- quick way to make eye on to the wire rope
- can be used also for lifting
- coating : painted

Wire diameter Mm	Safe working load t	A mm	B mm	C mm	D mm	Weight kg	Product code
9 – 10	1,5	165	20	20	20	1,8	KII015
11 – 13	2,5	170	25	24	24	2,1	KII025
14 – 16	4,0	210	30	31	32	3,7	KII040
17 – 19	5,0	255	35	38	40	5,5	KII050
20 – 22	7,0	286	41	44	46	8,2	KII070
23 – 26	10,0	330	50	52	54	13,5	KII100
27 – 28	12,0	375	57	60	62	20,5	KII120

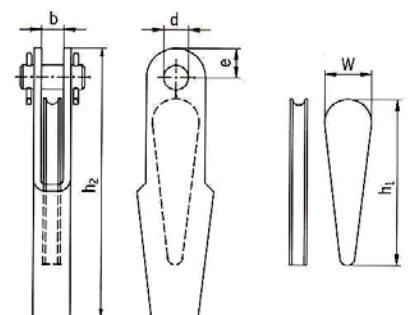
Other sizes with appr. 4 week delivery time



WEDGE SOCKETS FOR WIRE ROPES DIN 15315

- quick way to make eye on to the wire rope
- **not to be used on lifting equipments**
- coating : galvanized

Wire diameter mm	h1 mm	w mm	b mm	d mm	e mm	h2 mm	Weight kg	Product code
4 – 5	68	19	12	10	14	110	0,18	KII05
6 – 8	92	25	14	12	20	150	0,45	KII08
9 – 11	117	32	17	16	26	190	1,30	KII11
12 – 14	141	38	22	18	32	230	2,00	KII14
15 – 17	162	46	36	22	36	260	3,50	KII17
18 – 20	186	52	40	25	40	300	5,50	KII20
22 – 25	180	60	40	42	40	285	6,50	KII25
26 – 30	182	62	55	52	55	335	9,50	KII30



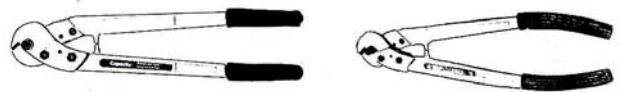


CUTTERS THIMBLES

CUTTERS FOR WIRE ROPES AND CABLES

- made of special steel
- available also with voltage protection (1000 V)
- the wire rope measures are with fibre core
- three sizes, also one table model for wire ropes and cables and one is only for copper and aluminium cables
- coating : painted

Wire dimen. mm	Type	Weight kg	Product code
1 – 5	Clamp TK	0,3	TEKLEI05
1 – 18	Clamp TK	6,0	TEKLEI18
1 – 22	Clamp TK	9,8	TEKLEI22
1 – 18	Table TK	7,0	TEKLEI14P
1 – 22	Clamp KP	2,2	KAAPL30



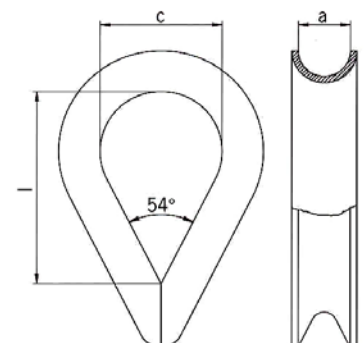
TK = wire ropes and cables

KP = copper and aluminium cables

THIMBLES FOR WIRE ROPES TYPE DIN 6899B

- stamped profile steel
- hot dip galvanized

Wire dimen. mm	a mm	c mm	l mm	Weight kg / 100 pcs	Product code
2 – 3	4	13	21	0,8	KO03
4 – 5	6	16	25	1,6	KO05
6 – 7	7	18	28	1,9	KO06
8 – 9	10	24	38	4,7	KO09
10 – 11	12	28	45	6,8	KO11
12 – 13	14	32	51	10,0	KO13
14 – 16	17	38	61	18,0	KO16
17 – 18	20	45	72	29,0	KO18
19 – 20	22	50	80	32,0	KO20
21 – 22	24	56	90	47,0	KO22
23 – 24	26	62	99	59,0	KO24
25 – 28	30	75	120	110,0	KO28
29 – 30	32	80	128	123,0	KO30
31 – 32	34	95	152	156,0	KO32
33 – 34	36	100	160	176,0	KO34
35 – 40	42	120	192	320,0	KO40



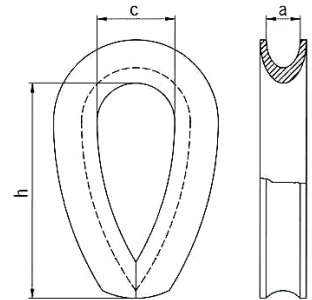
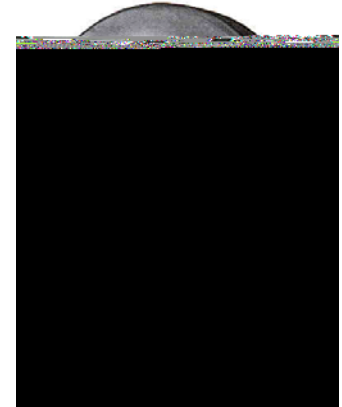


THIMBLES

THIMBLES FOR WIRE ROPES TYPE DIN 3090

- forged profile steel
- hot dip galvanized

Wire diameter mm	a mm	c mm	h mm	Weight kg / 100 pcs	Product code
5 – 6	7	15	42	2,8	KOD06
7 – 8	9	20	56	5,7	KOD08
9 – 10	11	25	70	15,2	KOD10
11 – 12	13	30	85	24,0	KOD12
13 – 14	15	35	102	38,0	KOD14
15 – 16	18	40	113	52,0	KOD16
17 – 18	20	45	127	66,0	KOD18
19 – 20	22	50	141	88,0	KOD20
21 – 22	24	55	153	104,0	KOD22
23 – 24	26	60	165	129,0	KOD24
25 – 26	29	65	181	260,0	KOD26
27 – 28	31	70	193	277,0	KOD28
29 – 32	35	80	223	440,0	KOD32

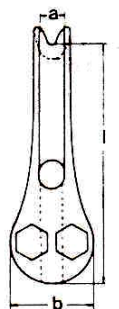
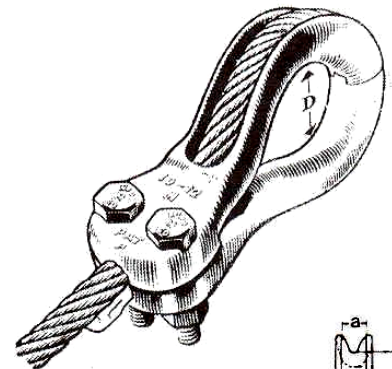


For other sizes appr. 4 week delivery time

GRIP THIMBLES FOR WIRE ROPES

- cast steel
- hot dip galvanised
- **not to be used on lifting equipment**
- **before locking the nuts – check that the wire rope is tensioned well on thimble**

Wire diameter mm	a mm	b mm	D mm	l mm	Weight kg	Product code
5 – 6	6	26	22	67	0,1	LUKO6
7 – 9	12	37	31	100	0,5	LUKO9
10 – 12	15	48	42	152	1,0	LUKO12
13 – 16	19	61	51	186	2,0	LUKO16
17 – 20	25	76	67	241	3,8	LUKO20





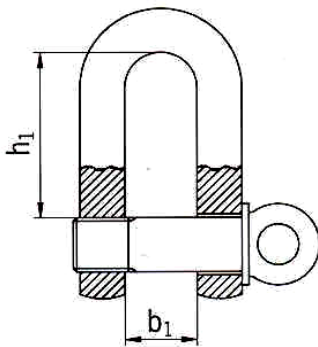
SHACKLES

COMMERCIAL DEE SHACKLES AND BOW SHACKLES

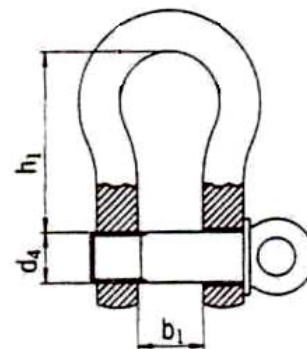
- two types, Dee model and Bow model
- coating : galvanized
- **not to be used for lifting**



Dimen. d4 mm	Breaking strength ca t	b1 mm	h1 mm	Packing	Weight/ 100 pcs appr. Kg	Product code D - model	Product code Bow model
5	0,40	10	20	100/1000	1,6	SAKY05	SAKY05P
6	0,50	12	24	100/1000	3,2	SAKY06	SAKY06P
8	1,00	16	32	100/500	7,0	SAKY08	SAKY08P
10	1,50	20	40	50/300	13,4	SAKY10	SAKY10P
12	2,50	25	48	50/150	25,0	SAKY12	SAKY12P
14	3,00	28	53	50/100	34,0	SAKY14	SAKY14P
16	4,00	32	60	30/70	53,0	SAKY16	SAKY16P
20	5,50	38	74	10/40	92,0	SAKY20	*SAKY20P
22	7,50	44	85	30	140,0	SAKY22	*SAKY22P
25	10,00	51	97	20	215,0	SAKY25	*SAKY25P
28	15,00	56	107	15	340,0	SAKY28	*SAKY28P
32	17,50	64	122	10	590,0	SAKY32	*SAKY32P
38	25,00	76	146	5	760,0	SAKY38	*SAKY38P



Dee - model



Bow model

* For products marked with star is delivery time appr. 4 weeks

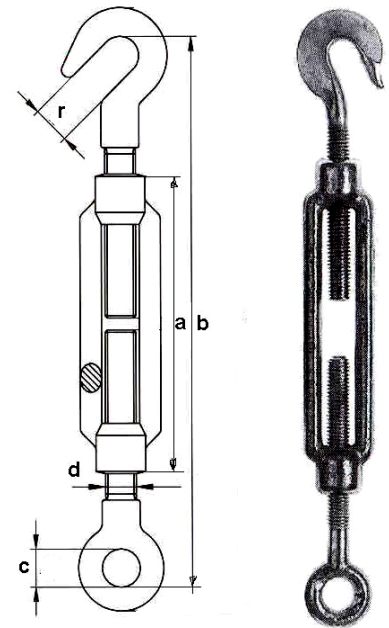


RIGGING SCREWS

RIGGING SCREWS DIN 1480

- cast steel
- coating : galvanized
- stock articles are with hook / eye ends
- other ends available with delivery time

Size d x a	b	c	r	Weight	Product code
mm	mm	mm	mm	kg / 100 pcs	
6x110	156 – 236	8	8	9,5	VRSK06
8x110	160 – 240	10	11	16,5	VRSK08
10x125	170 – 263	13	14	29,0	VRSK10
12x125	201 – 285	17	16	43,0	VRSK12
14x140	222 – 322	17	18	62,0	VRSK14
16x170	259 – 377	19	19	92,0	VRSK16
20x200	307 – 445	24	20	163,0	VRSK20
22x220	342 – 496	27	26	220,0	VRSK22
24x255	377 – 561	27	26	300,0	VRSK24
30x255	391 – 570	31	33	460,0	*VRSK30
33x295	449 – 638	34	36	610,0	*VRSK33
36x295	466 – 670	38	44	768,0	*VRSK36



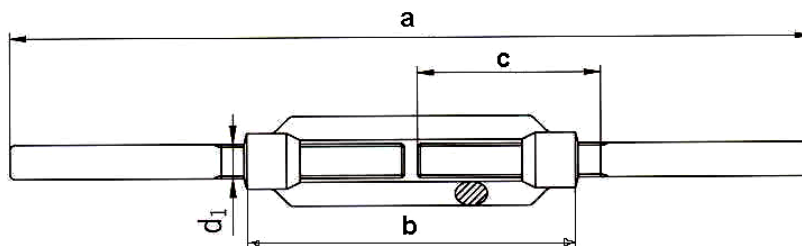
RIGGING SCREW FRAMES TYPE DIN 1480

- coating : galvanized; at order without galvanized coating
- available with only frame or with the ends like in picture

Size d 1	a	b	c	Weight	Product code
mm	mm	mm	mm	kg / 100 pcs	
M6	240 – 320	110	65	9,3	VRRAT06
M8	240 – 315	110	65	14,0	VRRAT08
M10	300 – 385	125	75	28,0	VRRAT10
M12	300 – 380	125	75	40,0	VRRAT12
M16	400 – 510	170	100	89,0	VRRAT16
M20	440 – 570	200	120	160,0	VRRAT20
M24	520 – 690	255	150	282,0	VRRAT24
M30	520 – 680	255	160	423,0	VRRAT30
M36	600 – 780	295	180	707,0	*VRRAT36
M42	700 – 900	330	200	1160,0	*VRRAT42
M48	760 – 955	355	195	1900,0	*VRRAT48



* For products marked with star is delivery time appr. 3 – 4 weeks



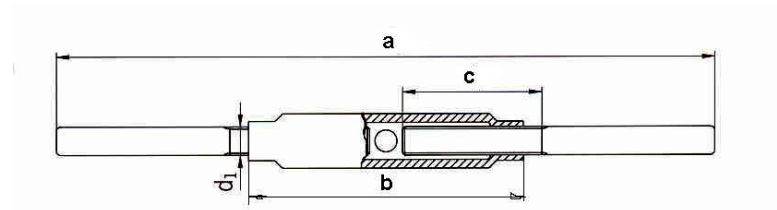


RIGGING SCREWS

RIGGING SCREW FRAMES TYPE DIN 1478

- coating : galvanized; at order without galvanized coating
- available only with frames or with the ends like in picture

Size d 1	a	b	c	Weight	Product code
mm	mm	mm	mm	kg / 100 pcs	
M6	240 – 330	110	65	14,0	VRRUT06
M8	240 – 325	110	65	18,0	VRRUT08
M10	300 – 395	125	75	32,0	VRRUT10
M12	300 – 390	125	75	45,0	VRRUT12
M16	400 – 520	170	100	90,0	VRRUT16
M20	400 – 540	200	120	150,0	VRRUT20
M24	520 – 700	255	150	275,0	VRRUT24
M30	520 – 680	255	160	394,0	VRRUT30
M36	600 – 780	295	180	650,0	*VRRUT36
M42	700 – 900	330	200	1110,0	*VRRUT42
M48	760 – 970	355	220	1400,0	*VRRUT48



* For products marked with star is delivery time appr. 3 – 4 weeks

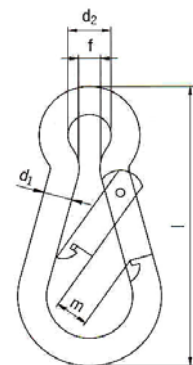


CARABINE HOOKS

CARABINE HOOKS DIN 5299 - C

- for different kind of hang up and mounting
- coating : galvanized

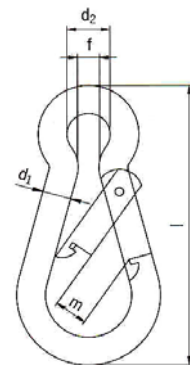
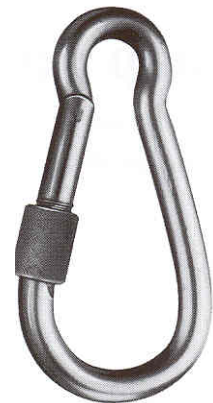
Dimen. d1 x l	d2	f	m	Packing	Weight	Product code
mm	mm	mm	mm	pcs	kg / 100 pcs	
4 x 40	6	4	8	100	1,1	KH40
5 x 50	8	4	8	100	1,9	KH50
6 x 60	9	5	8	100	2,7	KH60
7 x 70	10	8	8	100	4,4	KH70
8 x 80	10	8	9	100	6,5	KH80
9 x 90	12	9	10	100	8,8	KH90
10 x 100	15	10	11	50	12,7	KH100
11 x 120	18	11	16	30	18,0	KH120
12 x 140	20	13	19	20	26,0	KH140
13 x 160	22	15	25	10	35,0	KH160
14 x 180	22	15	35	10	48,0	KH180



CARABINE HOOKS WITH LOCKING

- for different kind of hang up and mounting
- coating : galvanized

Dimen. d1 x l	D2	f	m	Weight	Product code
mm	mm	mm	mm	kg / 100 pcs	
6 x 60	9	5	8	2,9	KHL60
7 x 70	10	8	8	4,6	KHL70
8 x 80	10	8	9	6,9	KHL80
10 x 100	15	10	12	13,4	KHL100
11 x 120	18	11	16	19,0	KHL120
12 x 140	20	13	19	26,5	KHL140





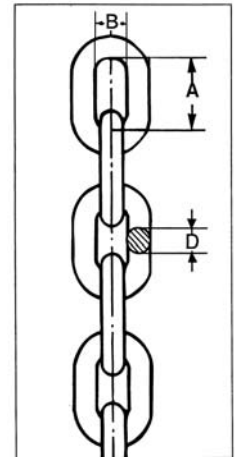
HARDWARE CHAINS

SHORT LINK CHAIN DIN – 766

- coating : electro or hot dip galvanized
- electro galvanized on plastic reel
- hot dip galvanized on bundle
- **not to be used for lifting**



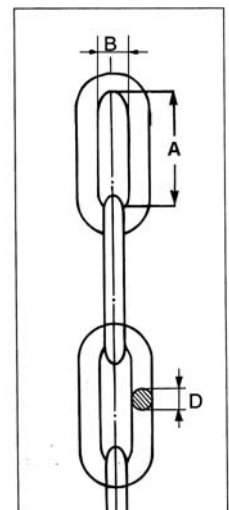
Dimen. D mm	A mm	B mm	On reel	On bundle	Weight kg / m appr.	Breaking strength t appr.	Product code	Product code
			electro galv. m	hot dip galv. m			electro galv. on reel	Hot dip galv. on bundle
3	16	6	50	50	0,17	0,30	KELH03	KELH03KSN
4	16	6	30	50	0,32	0,60	KELH04	KELH04KSN
5	18,5	7	30	50	0,50	1,00	KELH05	KELH05KSN
6	18,5	8	25	50	0,75	1,40	KELH06	KELH06KSN
8	24	10	15	50	1,35	2,50	KELH08	KELH08KSN
10	28	14	10	50	2,25	4,00	KELH10	KELH10KSN
13	36	18	-	30	3,80	6,40	-	*KELH13KSN
16	45	22	-	30	5,20	10,00	-	*KELH16KSN
19	53	24	-	30	8,20	18,30	-	*KELH19KSN



LONG LINK CHAIN DIN – 763 (5685 – C)

- coating : electro or hot dip galvanized
- electro galvanized on plastic reel
- hot dip galvanized on bundle
- **not to be used for lifting**

Dimen D mm	A mm	B mm	On reel	On bundle	Weight kg / m appr.	Breakin g strenght t appr.	Product code	Product code
			electro galv. m	hot dip galv. m			electro galv. on reel	Hot dip galv. on bundle
3	26	8	60	50	0,15	0,30	KEPH3	KEPH3KSN
4	32	8	30	50	0,27	0,60	KEPH4	KEPH4KSN
5	36	10	30	50	0,43	1,00	KEPH5	KEPH5KSN
6	42	12	30	30	0,63	1,40	KEPH6	KEPH6KSN
8	54	16	15	50	1,10	2,50	KEPH8	KEPH8KSN
10	66	20	15	50	1,75	4,00	KEPH10	KEPH10KSN
13	82	24	-	50	3,10	6,30	-	KEPH13KSN
16	100	28	-	30	4,50	10,00	-	KEPH16KSN
20	120	34	-	50	7,00	16,00	-	KEPH20KSN
22	127	38	-	30	8,60	19,00	-	KEPH22KSN
25	140	35	-	30	10,90	24,50	-	KEPH25KSN



* For products marked with star is delivery time appr. 3 – 4 weeks



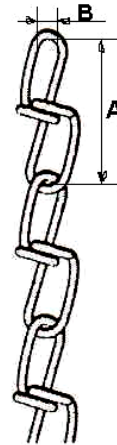
HARDWARE CHAINS

KNOTTED CHAIN DIN 5686

- coating : hot dip galvanized
- on plastic reel
- **not to be used for lifting**



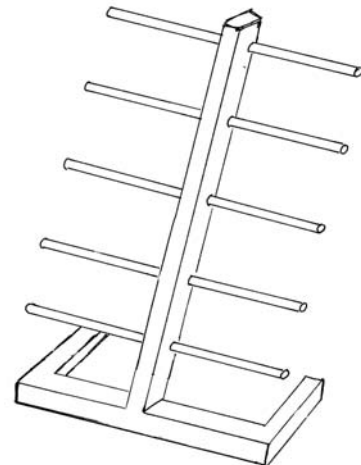
Dime. D mm	A mm	B mm	Meters on reel	Weight appr. kg / m	Product code
1,6	23	3,8	60	0,055	KESK16
2,0	27	4,0	60	0,088	KESK20
2,5	31	5,0	30	0,120	KESK25
3,1	39	7,5	30	0,200	KESK31
3,8	46	9,0	30	0,300	KESK38
5,0	58	11,5	30	0,500	KESK50



STAND FOR CHAIN AND WIRE ROPE REELS

- coating : painted
- appr. 20 reels is possible to put in to the stand
- height appr. 1,6 m
- reels will be locked up with rings
- weight appr. 15 kg

Product code : KETE10





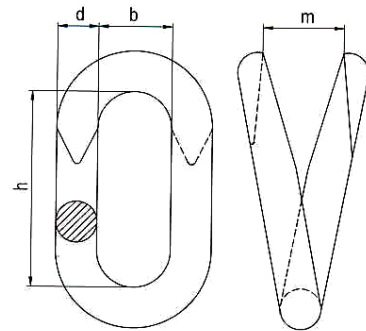
REPAIR AND QUICK LINKS

REPAIR LINKS

- for elongation and repair of hardware chain
- link is closed by hitting
- coating : galvanized
- **not to be used for lifting**



For chain d mm	b mm	h mm	m mm	Weight kg / 100 pcs	Product code
3	6,5	16,5	4,0	0,32	KEKL03
4	8,0	20,0	5,5	0,73	KEKL04
5	9,5	23,0	6,0	1,44	KEKL05
6	10,5	29,0	7,0	2,13	KEKL06
8	15,0	37,0	9,0	5,45	KEKL08
10	17,0	37,5	9,0	9,80	KEKL10
12	19,0	39,0	11,0	18,30	KEKL12

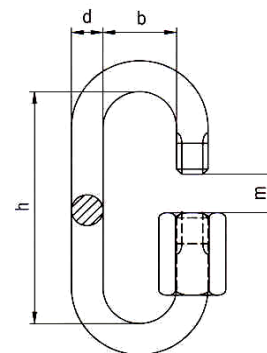


QUICK LINKS

- for elongation and repair of hardware chain
- coating : galvanized
- **not to be used for lifting**



For chain d mm	b mm	h mm	E mm	Weight kg / 100 tk	Product code
3	10	29	5,0	1,2	KEPL03
4	11	32	5,5	1,2	KEPL04
5	13	39	6,5	2,5	KEPL05
6	14	45	7,5	3,6	KEPL06
8	18	60	10,0	7,8	KEPL08
10	20	69	12,0	13,8	KEPL10
12	25	82	15,0	20,0	KEPL12



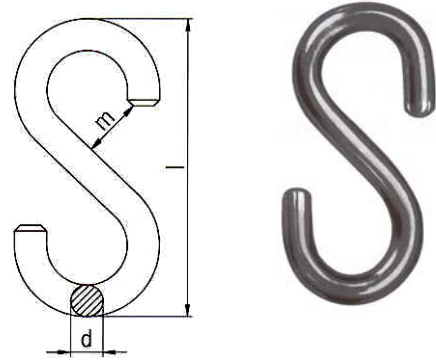


S – HOOKS AND RING PINS

S - HOOKS

- for hang up of chain etc.
- coating : galvanized
- **not to be used for lifting**

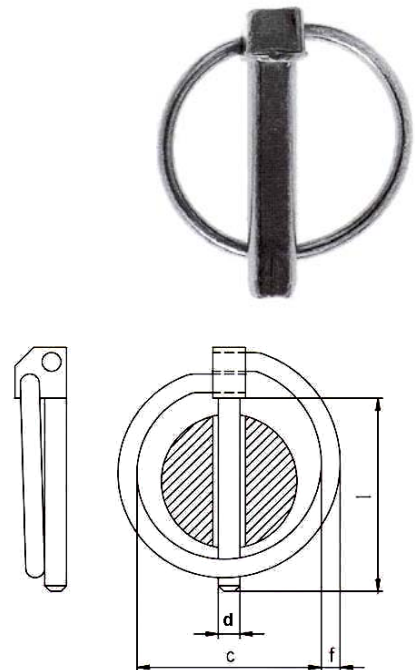
Dimen. d mm	l mm	m mm	Weight kg / 100 pcs	Product code
3	25	7	0,3	SKOU03K
4	35	11	0,7	SKOU04K
5	45	14	1,3	SKOU05K
6	55	16	2,4	SKOU06K
8	75	23	5,6	SKOU08K
10	103	25	12,7	SKOU10K



RING PINS

- ring pins with round spring ring
- coating : yellow galvanized
- **not to be used for lifting**

Dimen. d mm	c mm	f mm	l mm	Weight kg / 100 pcs	Product code
4,5	34	3,4	42	2,00	RES045
6	41	3,4	42	2,80	RES06
8	41	3,4	42	3,50	RES08
10	41	3,4	42	4,40	RES10
12	41	3,4	42	5,72	RES12

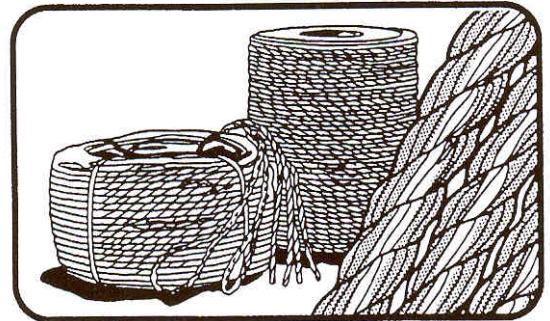




SYNTHETIC FIBRE ROPES

SYNTHETIC FIBRE ROPES

- made of polypropylen
- with UV protection
- for different use
- standard color : blue
- will be delivered on rolls



Rope diameter mm	Breaking strength appr. t	Meters on roll	Weight m appr. g	Product code
3	0,12	220	4,0	KÖY03
4	0,27	220	8,0	KÖY04
5	0,40	220	12,0	KÖY05
6	0,55	220	17,0	KÖY06
8	0,96	220	30,0	KÖY08
10	1,42	220	45,0	KÖY10
12	2,03	220	65,0	KÖY12
14	2,79	220	90,0	KÖY14
16	3,50	220	115,0	KÖY16
18	4,45	110	148,0	*KÖY18
20	5,37	110	180,0	*KÖY20
22	6,50	110	220,0	*KÖY22

* For products marked with star is delivery time appr. 4 weeks

At order also available other dimensions and different products made of rope.

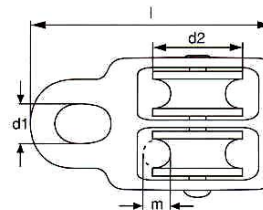
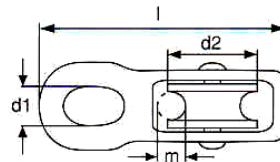


SNATCH BLOCKS FOR ROPES

SNATCH BLOCKS

- housing – galvanized steel , block – nylon
- with one or two blocks
- for artificial fibre ropes
- **not to be used for lifting**

For rope m mm	Breaking strength Appr. t	d1 mm	d2 mm	l mm	Weight 100 pcs appr. kg	Product code with 1 block	Product code with 2 blocks
5	0,55	10	15	50	2,4	PYL05	PYL205
6	0,60	11	20	60	4,1	PYL06	PYL206
7	0,80	12	25	70	5,6	PYL07	PYL207
8	0,90	13	30	80	8,3	PYL08	PYL208
9	1,10	14	40	93	12,7	PYL09	PYL209
12	1,20	16	50	113	19,7	PYL12	PYL212
16	1,20	20	65	135	38,5	PYL16	PYL216



* For products marked with star is delivery time appr. 3 weeks

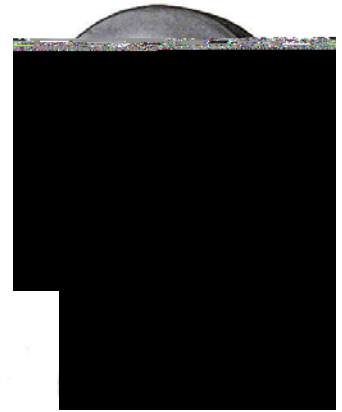
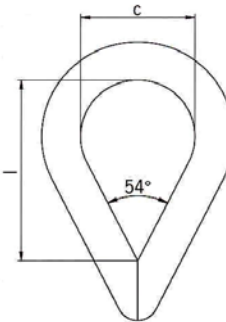


STAINLESS STEEL -THIMBLES -WIRE ROPE GRIPS

STAINLESS STEEL THIMBLES FOR WIRE ROPE

- material AISI 316

Wire diameter mm	c mm	l mm	Weight kg / 100 pcs	Product code
3	10	16	0,3	KOH03
4	11	17	0,5	KOH04
5	13	20	0,7	KOH05
6	16	25	1,2	KOH06
7 - 8	20	32	2,7	KOH08
9 - 10	26	40	2,9	KOH10
11 - 12	28	45	5,2	KOH12
13 - 14	34	56	5,5	KOH14
15 - 16	37	62	11,0	KOH16

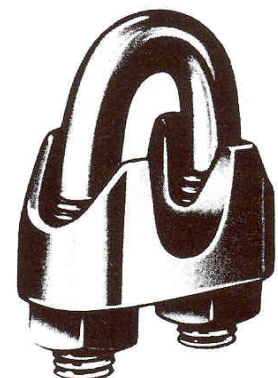


Other dimensions also available

STAINLESS STEEL WIRE ROPE GRIPS DIN 741

- material AISI 316

Wire diameter mm	Weight kg / 100 pcs	Product code
2	1,0	VLH02
3	1,4	VLH03
4 - 5	1,5	VLH05
6	2,1	VLH06
7 - 8	4,1	VLH08
9 - 10	6,8	VLH10
11 - 13	13,0	VLH13
14 - 16	21,0	VLH16
17 - 20	28,0	VLH20
18 - 22	40,0	VLH22



Other dimensions also available



STAINLESS STEEL WIRE ROPE GRIPS AND WIRE ROPES

STAINLESS STEEL DUPLEX WIRE ROPE GRIPS

- material AISI 316

Wire diameter mm	Weight kg / 100 pcs	Product code
2	1,0	VLHD02
3	1,5	VLHD03
4	2,5	VLHD04
5	3,6	VLHD05
6	5,2	VLHD06
8	11,0	VLHD08



STAINLESS STEEL WIRE ROPES

- material AISI 316

Wire diameter mm	Minimum breaking strength kg	Lay	No of wires	Weight kg / 100 m	Product code
2	260	6x7+IWS	49	1,7	TEK02HK
3	580	6x7+IWS	49	3,8	TEK03HK
4	1040	6x7+IWS	49	6,0	TEK04HK
5	1320	6x19+IWS	133	8,6	TEK05HK
6	1910	6x19+IWS	133	13,5	TEK06HK
8	3390	6x19+IWS	133	24,0	TEK08HK
10	5310	6x19+IWS	133	37,5	TEK10HK
12	7590	6x19+IWS	133	54,0	*TEK12HK
14	10300	6x19+IWS	133	60,0	*TEK14HK
16	13600	6x19+IWS	133	63,0	*TEK16HK
20	20700	6x36+FC	216	148,0	*TEK20HK



Also available with other lays.

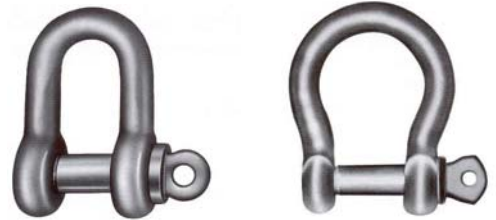
* For products marked with star is appr. 2 - 3 weeks delivery time



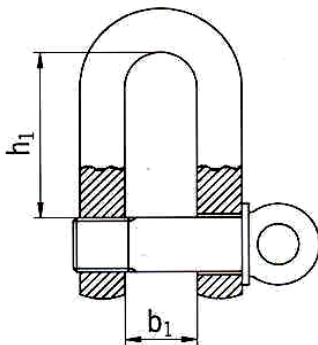
STAINLESS STEEL SHACKLES

STAINLESS STEEL SHACKLES

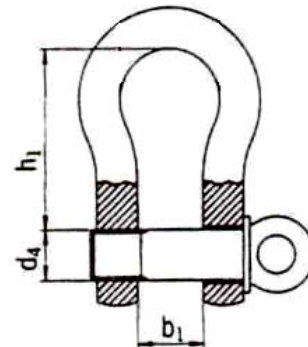
- two types, Dee – type and Bow-type
- material AISI 316
- **not to be used for lifting**



Dimen. d4 mm	Breaking strength appr. t	b1 mm	h1 mm	Weight 100 pcs appr. Kg	Product code Dee - type	Product code Bow-type
5	0,40	10	20	1,9	SAKH05	SAKH05P
6	0,50	12	24	2,9	SAKH06	SAKH06P
8	1,00	16	32	6,8	SAKH08	SAKH08P
10	1,50	20	40	12,0	SAKH10	SAKH10P
12	2,50	24	48	23,0	SAKH12	SAKH12P
16	4,00	32	64	50,0	SAKH16	SAKH16P
20	5,50	40	76	90,0	SAKH20	*SAKH20P
22	7,50	44	88	140,0	*SAKH22	-
25	10,00	50	100	210,0	*SAKH25	-
28	15,00	56	112	330,0	*SAKH28	-
32	17,50	64	128	570,0	*SAKH32	-



Dee - type



Bow-type

* For products marked with star is delivery time appr. 3 weeks

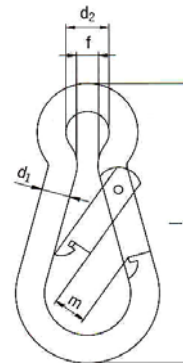


STAINLESS STEEL -CARABINE HOOKS -QUICK LINKS

STAINLESS STEEL CARABINE HOOKS

- for different kind of hang up and mounting
- material AISI 316
- **not to be used for lifting**

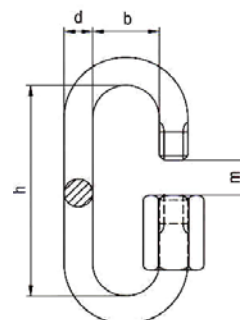
Dimen. d1 x l	d2	f	m	Weight	Product code
mm	mm	mm	mm	kg / 100 pcs	
5 x 50	8	4	8	1,6	KHH50
6 x 60	9	5	8	2,7	KHH60
8 x 80	12	8	9	6,5	KHH80
10 x 100	15	10	11	12,7	KHH100
11 x 120	18	11	16	18,0	KHH120



STAINLESS STEEL QUICK LINKS

- for elongation and fixing of chain
- screw locking
- material AISI 316
- **not to be used for lifting**

Dimen. d	b	h	E	Weight	Product code
mm	mm	mm	mm	kg / 100 pcs	
4	11	33	5,0	1,2	KEHPL04
5	13	39	6,5	2,2	KEHPL05
6	14	45	7,5	3,6	KEHPL06
8	18	58	10,0	7,8	KEHPL08
10	20	69	12,0	13,8	KEHPL10
12	25	81	15,0	20,0	KEHPL12



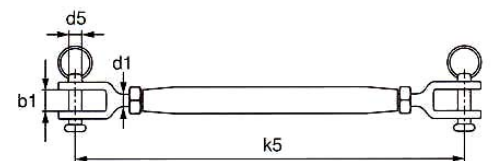


STAINLESS STEEL RIGGING SCREWS

STAINLESS STEEL RIGGING SCREWS WITH CLOSED FRAME AND FORK / FORK ENDS

- with locking nut
- material AISI 316
- **not to be used for lifting**

Dimen. d1	Breaking strength appr./ t	k5 mm	b1 mm	d5 mm	Weight kg / 100 pcs	Product code
M5	1,0	130 – 190	7	5,0	5,1	VRHA05
M6	1,5	140 – 210	7	6,5	9,0	VRHA06
M8	2,3	165 – 240	8	8,0	14,0	VRHA08
M10	3,4	190 – 270	10	9,5	24,0	VRHA10
M12	6,8	260 – 385	14	12,7	64,0	VRHA12
M16	9,5	310 – 450	16	12,7	100,0	VRHA16
M20	13,0	360 – 450	20	15,5	198,0	VRHA20

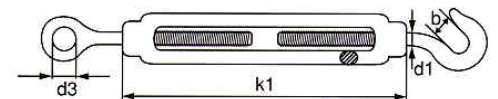


Other dimensions also available.

STAINLESS STEEL RIGGING SCREWS WITH OPEN FRAME AND EYE / HOOK ENDS

- material AISI 316
- **not to be used for lifting**

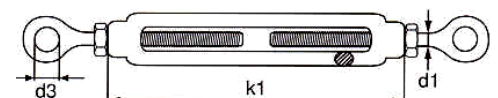
Dimen. d1	k1 mm	b mm	d3 mm	Weight kg / 100 pcs	Product code
M6	100	10	10	10,0	VRHASK06
M8	125	11	14	16,5	VRHASK08
M10	155	12	16	27,6	VRHASK10



STAINLESS STEEL RIGGING SCREWS WITH OPEN FRAME EYE / HOOK AND EYE / EYE ENDS

- material AISI 316
- with locking nut
- **not to be used for lifting**

Dimen. d1	Type	k1 mm	b mm	d3 mm	Weight kg / 100 pcs	Tootekood
M6	Eye/Hook	100	10	10	8,2	VRHASK06L
M8	Eye/Eye	125	-	14	17,6	VRHASS08L



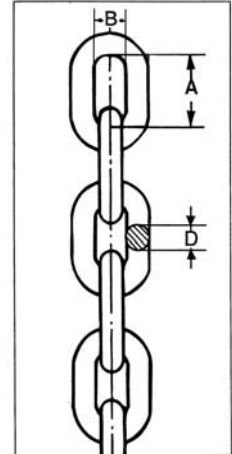


STAINLESS STEEL CHAINS

STAINLESS STEEL SHORT LINK CHAINS

- material AISI 316
- will be delivered on bundels
- **not to be used for lifting**

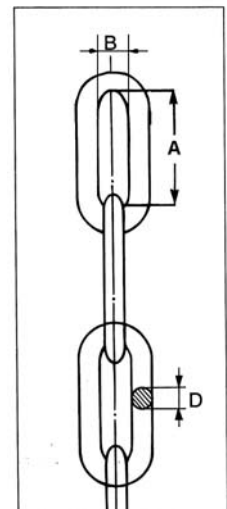
Dime. D mm	A mm	B mm	Size of bundle m	Weight kg / m appr.	Breaking strength t appr.	Product code
3	16	6	50	0,17	0,28	KEHA03LH
4	16	6	50	0,32	0,60	KEHA04LH
5	18,5	7	50	0,50	1,00	KEHA05LH
6	18,5	8	50	0,75	1,40	KEHA06LH
8	24	10	50	1,35	2,50	KEHA08LH
10	28	14	50	2,25	4,00	KEHA10LH
13	36	18	50	3,80	6,40	*KEHA13LH



STAINLESS STEEL LONG LINK CHAINS

- material AISI 316
- will be delivered on bundels
- **not to be used for lifting**

Dime. D mm	A mm	B mm	Size of bundle m	Weight kg / m appr.	Breaking strength t appr.	Product code
2	22	4	50	0,06	0,13	KEHA02PH
3	26	8	50	0,15	0,28	KEHA03PH
4	32	8	50	0,27	0,60	KEHA04PH
5	36	10	50	0,43	1,00	KEHA05PH
6	42	12	30	0,63	1,40	KEHA06PH
8	54	16	50	1,10	2,50	KEHA08PH
10	66	20	50	1,75	4,00	KEHA10PH
13	82	24	50	2,95	6,40	*KEHA13PH



* For products marked with star is delivery time appr. 3 weeks